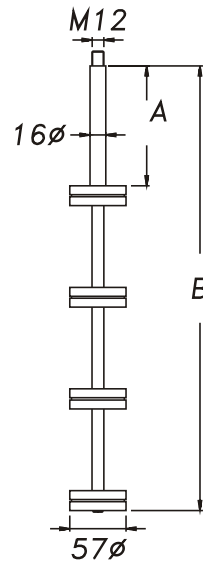
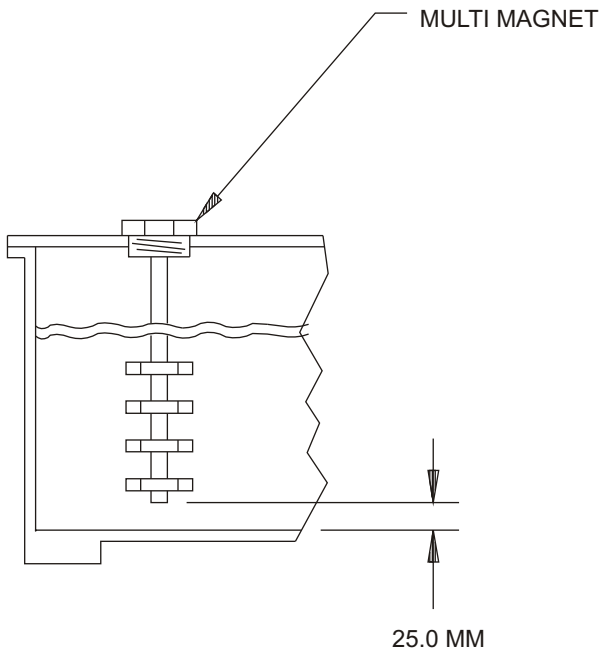


MAGNETIC TANK CLEANER - MT



- NO MOVING PARTS
- DECREASES WEAR ON PUMP/ VALVES ETC.
- ELIMINATES TROUBLESOME FEROUS FINES
- KEEPS HYDRAULIC OILS CLEANER
- EASILY REMOVED WITHOUT DOWNTIME OR LOSS OF OIL
- IMPROVED PERFORMANCE WHEN USED WITH DIFFUSER
- EXCEPTIONALLY EFFICIENT LARGE CERAMIC MAGNETS



TYPICAL INSTALLATION

MODEL	A	B	MAGNETS	WT KGS
MT - 12	70	300	3	0.80
MT - 18	125	450	4	0.95
MT - 21	200	525	4	1.05
MT - 24	275	600	4	1.15

DIMENSIONS IN MM FOR REFERENCE ONLY