

bourdon tube pressure gauges anti-vibration version DS 2.5" (63mm)

Model FIT MGS 10



Instruments designed for use on power units, pump, hydro-cleaning machines, presses, engine compressors, turbines, diesel engines, chemical, petrochemical and refrigerating plants and on machines and equipment where pulsating pressures or mechanical vibrations are apparent. They can be used with gaseous or liquid media which do not corrode copper alloy and which do not have high viscosity or do not cristalize.

Specification

Design: EN837-1.

Safety designation: S1 as per EN 837-2.

Ranges: from 0...15 to 0...10000 psi (from 0...1 to 0...600 bar or other equivalent units).

Accuracy class: 1,6 as per EN 837-1.

Ambient temperature: -13...+149°F (-25...+65 °C).

Process fluid temperature: +212°F (max +100 °C).

Thermal drift: max ±0,4%/10 K of ranges (starting from + 68°F - 20°C).

Working pressure:

75% of FSV for static pressure;

66% of FSV for pulsating pressure;

100% of FSV for static pressure (max 12 hours)

Over pressure limit (15 min max):

25% of FSV for pressure ranges ≤ 1500 psi (100 bar);

15% of FSV for pressure ranges over 1500 psi (100 bar).

Protection degree: IP 67 as per IEC 529.

Socket material: copper alloy.

Bourdon tube: copper alloy.

Case: stainless steel.

Ring: stainless steel, polished, crimped

Window: glass.

Movement: copper and stainless steel.

Dial: plastic, white with black markings

Pointer: not adjustable, aluminium, black

Damping liquid: glycerine 98%, silicon oil or fluorinated fluid.

Ambient temperature:

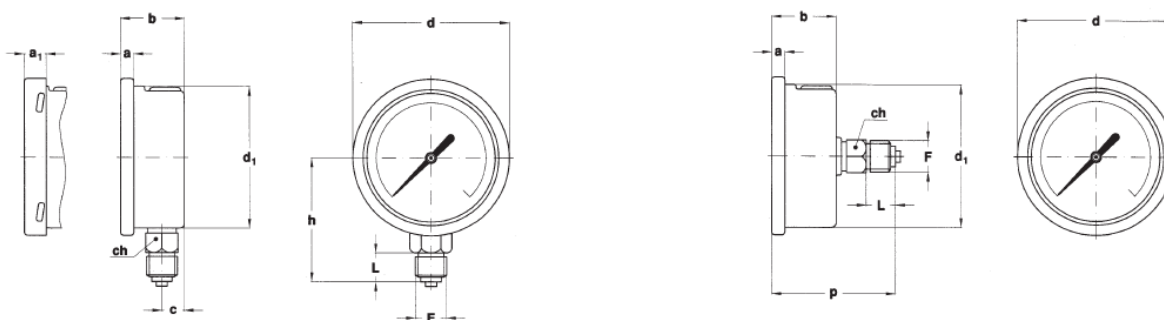
+59...+149 °F (+15...+65 °C) with glycerine filling;

-49...+149 °F (-45...+65 °C) with silicon oil filling;

-76...+149 °F (-60...+65 °C) with fluorinated fluid filling.

Process fluid temperature: max +149°F (+65 °C).

Other features: as fillable model.



Mounting	F	a	b	c	d	d ₁	h	p	L	ch	Weight (l)
Lower	1/4-18 NPT - G 1/4 A	0.22" (5,6)	1.10" (28)	0.39" (10)	2.67" (68)	2.46" (62,6)	2.17" - 2.13" (55,3 - 54,3)		0.51" (13)	0.51" x 0.35" (14 x 9)	0.28 lbs (0,13 kg)
Back	1/4-18 NPT - G 1/4 A	0.22" (5,6)	1.10" (28)		2.67" (68)	2.46" (62,6)		1.81" - 2.11" (54,8 - 53,8)	0.39" (13)	0.51" x 0.35" (14 x 9)	0.30 lbs (0,14 kg)

dimensions : inches (mm)

(1) add 0.15 lbs (0,07 kg) when filled