

Ad402 Series Automatic drainage device



■ Symbol



Used to automatically exclude the lower part of pipe, refrigeration air dryer, Oily water separator, air storage and all kinds of air filters the accumulated water at the bottom, can be installed artificial sewage discharge in place, in the not easy as high, low, narrow; especially installed on more gas, water frequently place, can prevent artificial drainage forgotten caused by compressed air is condensed water re pollution.

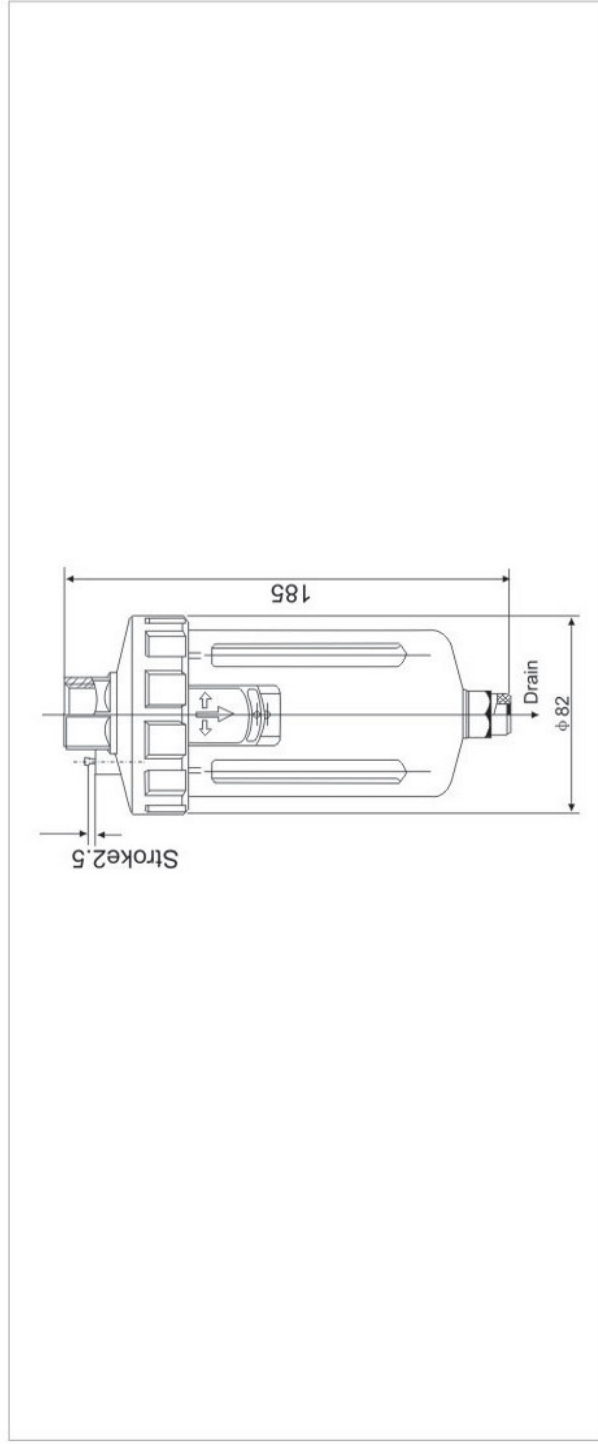
Automatic drainage
Stop gas drainage
Manual drain

The cup is equipped with a metal shield

■ Specification

Model	AD402-02	AD402-03	AD402-04
Ensured pressure resistance		1.5Mpa	
Operating pressure		0.15Mpa ~ 1.00Mpa	
Ambient and fluid temperature		5 ~ 60°C	
Port size	G1/4"	G3/8"	G1/2"
Drainage aperture		G1/8"	
Drainage condition		Normally open type	
working medium		Compressed air	

■ Overall Dimension



Matters needing attention

When in use, must be installed vertical position, and the drain down.



PNEUMAX.CO.,LTD

PNEUMAX

107/1 Chaloen Phrakiat R.9 Rd., Prawet, Bangkok 10250 | Tel : 02-726-8000 ext. 640, 643-644 | Fax : 02-726-8266-9
E-mail : sales.air@pneumax.co.th | www.pneumax.co.th