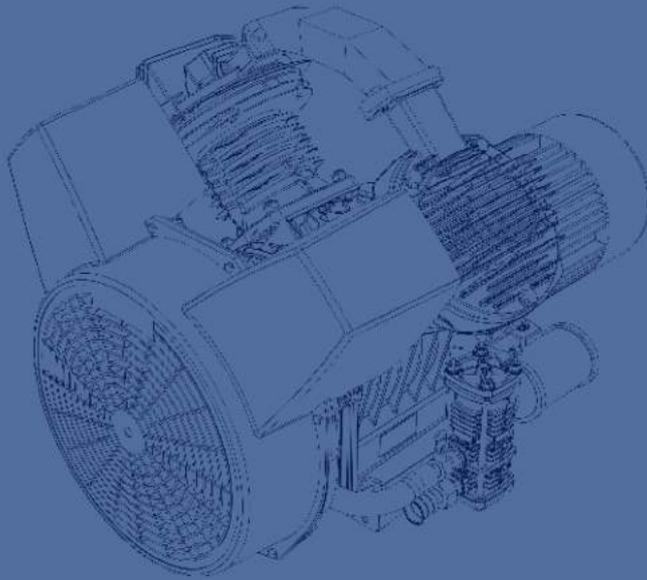


CleanAIR

Oil-free Compressors



CNR 75-100

Oil free
compressors



PNEUMAX.CO.,LTD

107/1 Chaloem Phrakiat R.9 Rd., Prawet, Bangkok 10250 | Tel : 02-726-8000 ext. 640, 643-644 | Fax : 02-726-8266-9
E-mail : sales.air@pneumax.co.th | www.pneumax.co.th

Oil-free compressors

Industries such as food and beverage, electronics and textiles cannot risk any chance of oil contamination in their processes. It is essential that their compressed air is 100% oil-free. Outstanding reliability, and low maintenance and operating costs make oil-free compressors a sound investment.

www.oilfreecompressors.eu



CleanAIR oil-free piston range

Designed with premium quality components and for heavy duty use, the new CleanAIR CNR offers 100% oil-free air for a range of industrial applications. Thanks to its smart design, low energy consumption and minimal maintenance requirements, cost and environmental impact are kept at a minimum.

Absolutely clean air

When your operations require unquestionably clean air, “technically oil-free” really won’t do. Oil-injected compression, even filtered, cannot guarantee that all oil vapors, aerosols and other contaminants are removed from the air. Thanks to the innovative oil-free technology built into the CleanAIR CNR, you can be sure of absolutely clean air.

First-class reliability

With an operational lifetime of 16,000 hours, the CleanAIR CNR is a long-term companion. This supreme reliability stems from its quality components as well as its compression technology. Because the CleanAIR CNR doesn’t use any oil, it will last longer with only minimal service. No oil changes are required.

High efficiency

Energy use matters, as it constitutes the highest cost of running a compressor. The direct driven CleanAIR CNR comes with a number of innovations (one-bearing motor, load/stop technology, etc.) to reduce energy consumption to an impressive minimum.

Low noise

Thanks to its sound-attenuating materials and canopy, the CleanAIR CNR offers noise levels as low as 71 dB(A). With this silent performance previously unattainable for an oil-free piston compressor, the CleanAIR CNR is suitable for sound-sensitive environments.

Advanced control

The CleanAIR CNR comes with advanced electronic control and monitoring. The one-touch controller is easy to use, optimizing both performance and reliability.



Oil-free applications

Food & brewery

As a manufacturer of food and beverages, you know product quality and health matter. That's why you only choose 100% oil-free compressed air.

Electronics

Ultra-clean production conditions are essential for the quality of electronic components. Electronic experts know quality and cleanliness are crucial. That's why you only choose 100% oil-free compressed air.

Chemicals & plastics

In the chemical industry and manufacturing, product purity is an absolute necessity. That's why you only choose 100% oil-free compressed air.

Textile

Producing beautiful fabrics with the most sophisticated colors and patterns is an art. Fashion designers entrust their creations only to manufacturers who are able to deliver the highest quality. That's why you only choose 100% oil-free compressed air.

Find out about more industries and typical applications at oilfreecompressors.eu



PNEUMAX.CO.,LTD

107/1 Chaloem Phrakiat R.9 Rd., Prawet, Bangkok 10250 | Tel : 02-726-8000 ext. 640, 643-644 | Fax : 02-726-8266-9
E-mail : sales.air@pneumax.co.th | www.pneumax.co.th

CleanAIR CNR



Flexibility

- Full range with different power (7-10 hp) and pressure (4-10 bar) options.
- Base and tank mounted versions available.

Continuous operation

Lubricated compressors operate up to 20% of their running time in cool-down mode. Thanks to its oil-free technology and internal cooling fan system, the CleanAIR CNR can offer a 100% duty cycle for uninterrupted service.

Quality air

- ISO 8573-1 Class 0 pump produces TÜV-certified 100% clean air.
- High-efficiency filtration for safe operation.



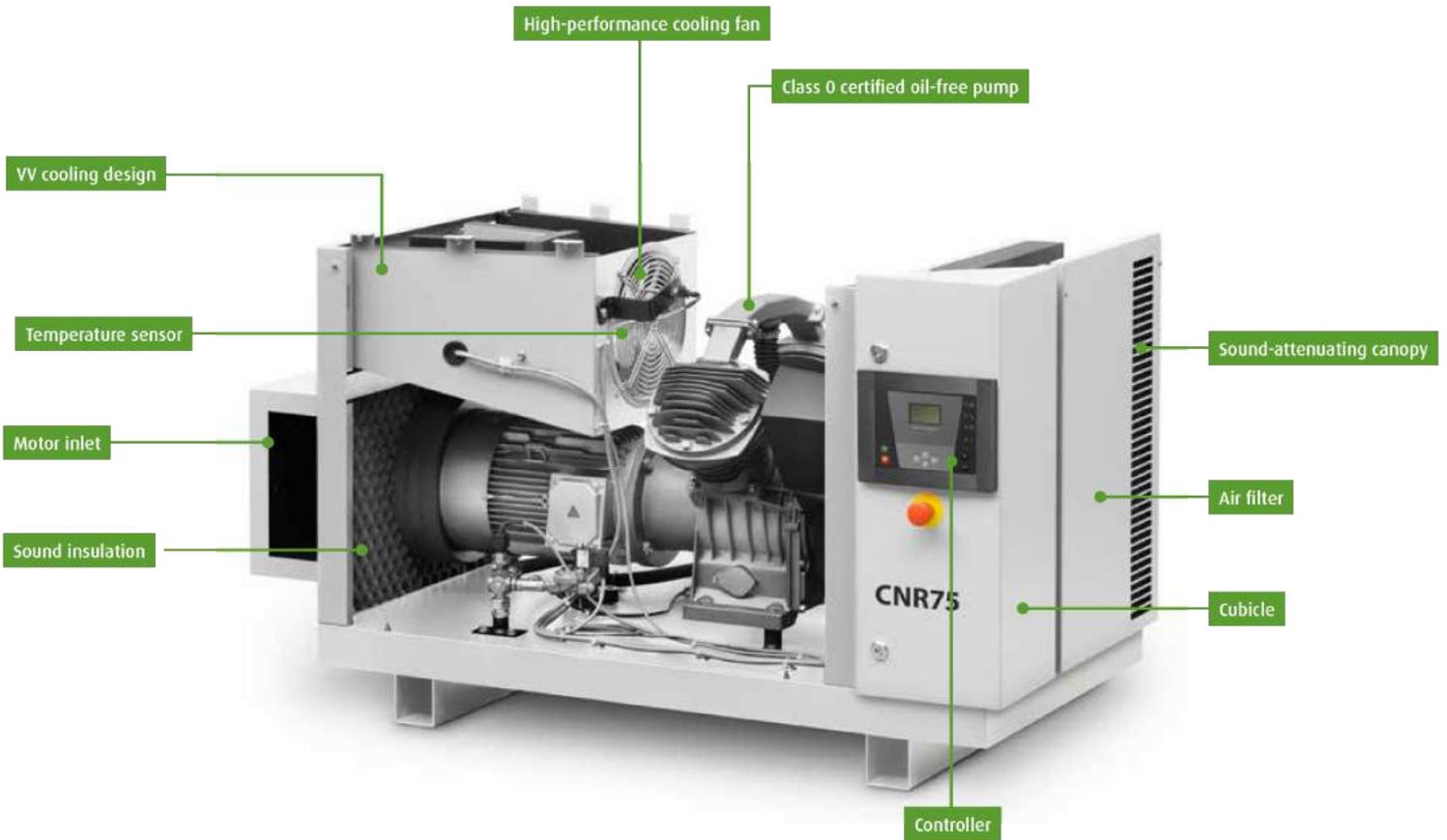
Complete control

- Dual pressure set point.
- Remote control.
- Remote alarm.
- Integrated saver cycles.
- Integrated smart algorithm for cooling and duty cycle.
- Maintenance schedule.
- Pressure, temperature and lifetime monitoring.



PNEUMAX.CO.,LTD

107/1 Chaloem Phrakiat R.9 Rd., Prawet, Bangkok 10250 | Tel : 02-726-8000 ext. 640, 643-644 | Fax : 02-726-8266-9
E-mail : sales.air@pneumax.co.th | www.pneumax.co.th



Reliability

- Patented stainless steel inlet/outlet pump valves.
- Long lifetime of 16,000 hours.
- Unbeatable low maintenance costs.



Energy savings

- Direct drive technology offers major energy savings compared to belt-driven compressors.
- Start-stop technology eliminates waste during the unload cycle.
- One-bearing motor to reduce mechanical friction.



PNEUMAX.CO.,LTD

107/1 Chaloem Phrakiat R.9 Rd., Prawet, Bangkok 10250 | Tel : 02-726-8000 ext. 640, 643-644 | Fax : 02-726-8266-9
E-mail : sales.air@pneumax.co.th | www.pneumax.co.th

Need nitrogen? Add CleanAIR

Are you a frequent user and/or producer of nitrogen? The CleanAIR CNR is the high-performance, cost-saving foundation of your nitrogen generation system. Unlike lubricated compressors, the oil-free CleanAIR CNR doesn't require additional carbon filtration or condensate management. As a result, the CleanAIR CNR gives you a more compact footprint, lower maintenance and minimized downtime. Because it doesn't compromise the adsorbent of the nitrogen generator, your system will last longer as well.

Still using nitrogen bottles?

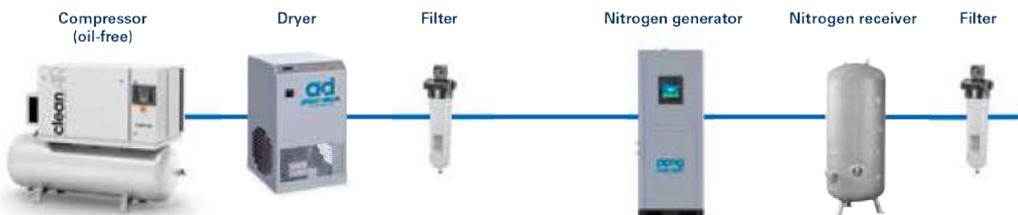
Nitrogen generation systems combine a compressor with a nitrogen generator to create the sustainable and cost-efficient alternative to cylinders or bulk supply. A nitrogen generation system provides an independent supply of nitrogen, when you need it and at the lowest cost, eliminating ordering, transportation, storage and delivery expenses.



Traditional nitrogen generation system:



CleanAIR-powered nitrogen generation system:



- Smaller investment.
- Reduced maintenance cost.
- Increased generator lifetime.



PNEUMAX.CO.,LTD

107/1 Chaloem Phrakiat R.9 Rd., Prawet, Bangkok 10250 | Tel : 02-726-8000 ext. 640, 643-644 | Fax : 02-726-8266-9
E-mail : sales.air@pneumax.co.th | www.pneumax.co.th

Technical specifications

PERFORMANCE

Compressor type	Maximum working pressure		FAD**			Installed recommended power		Noise level	Vessel	Version
	bar(e)	psig	l/s	m ³ /min	cfm	kW	hp	db(A)	l	
CNR 75	10	145	11	0.66	23.3	5.5	7.5	71	270 500	BM/TM*
CNR 100	10	145	15.5	0.93	32.8	7.5	10	74	270 500	BM/TM*

* BM: base mounted – TM: tank mounted.

** Voltage: 400V/50hz.

*** Unit performance measured according to ISO 1217, Ed.3, Annex C-2009.

**** Mean noise level measured according to ISO 2151/Pneurop/Cagi PN8NTC2 test code; tolerance 3 dB(A).

Base mounted

Tank mounted



REFERENCE CONDITIONS

Absolute inlet pressure	1 bar (14.5 psi)
Intake air and coolant temperature	20°C, 68°F
FAD	measured at 7 bar

DIMENSIONS

Model	Base mounted			Tank mounted 270l vessel			Tank mounted 500l vessel		
	L (mm)	W (mm)	H (mm)	L (mm)	W (mm)	H (mm)	L (mm)	W (mm)	H (mm)
CNR 75-100	1442	808	871	1752	808	1315	1984	808	1457

DRIVEN BY TECHNOLOGY DESIGNED BY EXPERIENCE



CONTACT YOUR
LOCAL SALES
REPRESENTATIVE



Care. Trust. Efficiency.

Care.

Care is what service is all about: professional service by knowledgeable people, using high-quality original parts.

Trust.

Trust is earned by delivering on our promises of reliable, uninterrupted performance and long equipment lifetime.

Efficiency.

Equipment efficiency is ensured by regular maintenance. Efficiency of the service organization is how Original Parts and Service make the difference.

6959010322

www.oilfreecompressors.eu



PNEUMAX.CO.,LTD

107/1 Chaloem Phrakiat R.9 Rd., Prawet, Bangkok 10250 | Tel : 02-726-8000 ext. 640, 643-644 | Fax : 02-726-8266-9
E-mail : sales.air@pneumax.co.th | www.pneumax.co.th