

## DOX SERIES

---

Duplex filter assemblies for lube oil, fuel and water filtration.

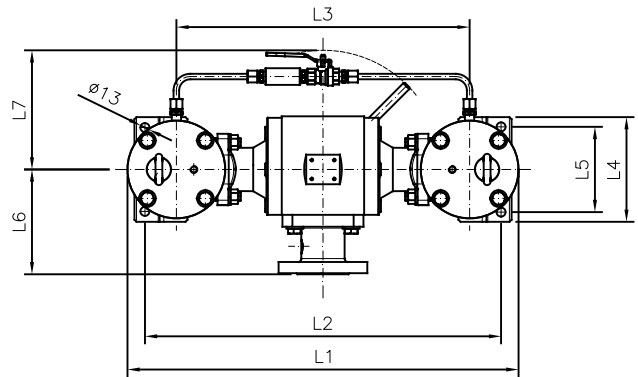
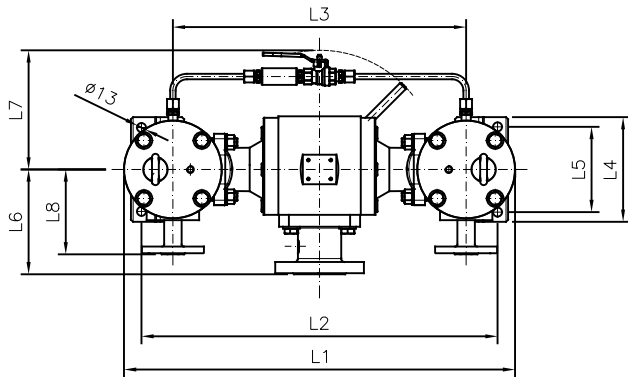
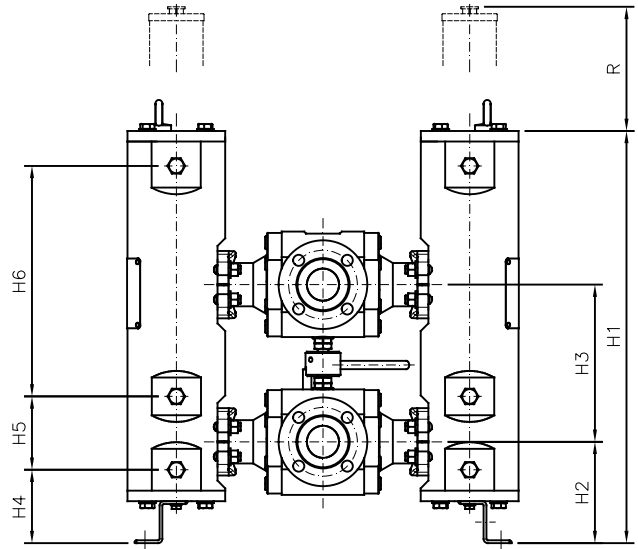
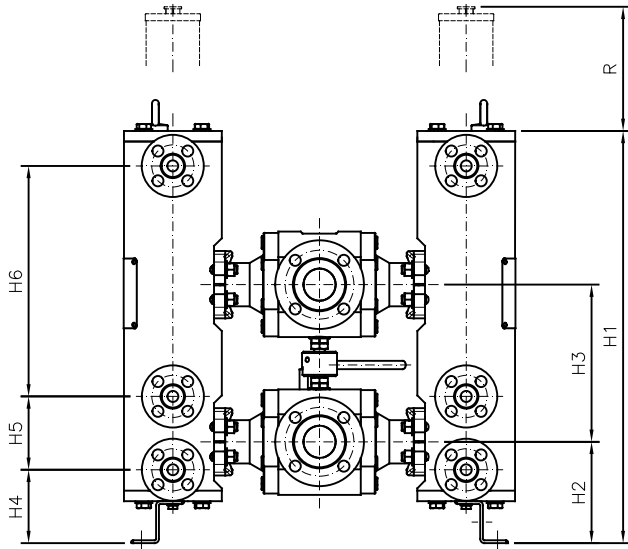


The duplex configuration of DOX series allows continuous operation, avoiding the need of shut off the system for filter element replacement or filter servicing.

When element replacement or service is required, the flow can be easily diverted from one side of the housing to the other by means of the changeover valve.

A pressure equalization system provides consistent pressure during the transfer fluid operation.

DOX series



VENT & DRAIN  
FLANGED

VENT & DRAIN  
PLUGGED

MODEL	L1	L2	L3	L4	L5	L6	L7	L8*	H1	H2	H3	H4	H5	H6	R
DOX1010	400	370	280			110		110	470	160	160	110	100	215	230
DOX2020	560	510	420	150	120	150	170	121,5	590	145	225	105	105	330	350

\*Only for 7. CONFIGURATIONS B&C

## ORDERING INFORMATION

1.	2.	3.	4.	5.	6.	7.	8.	9.	10.	11.	12.
<b>DOX</b>	<b>S</b>	<b>B</b>	<b>2010</b>	<b>P</b>	<b>040</b>	<b>A</b>	<b>A</b>	<b>0</b>	<b>G15</b>	<b>000.</b>	<b>0000</b>

1. FILTER SERIES	DOX	duplex filter	
2. MATERIAL	S	stainless steel	
	C	*carbon steel	
3. SEALS*	B	NBR	
	V	FKM	
4. HOUSING SIZE	1010	port size 020 or 025	
	2020	port size 040 or 050	
5. PORT TYPE	A	ANSI 150 flange	
	P	PN 16 flange	
6. PORT SIZE	020	3/4" DN20	size 1010
	025	1" DN25	
	040	1 1/2" DN40	size 2020
	050	2" DN50	
7. CONFIGURATIONS	A	vent, drain clean & dirty NPT-F	
	B	vent, drain clean & dirty fl. 1/2" Ansi 150RF	
	C	vent, drain clean & dirty fl. DN15 PN16	
8. SPECIFICATIONS	A	ASME VIII div.1 design, NOT U-STAMP	
	B	ASME VIII div.1 design, U-STAMP	
	C	ASME VIII div.1 design, U-STAMP, NBR (National Board Registration)	
	D	PED 2014/68/EU, ASME VIII div.1 design. Equipment exempted from CE marking (acc. to PED Dir. - Art.4 Par.3)	
	E	TR CU EAC 010/2011, technical passport, ASME VIII div.1 design. Equipment exempted from TR CU032/2013	
9. AREA CLASSIFICATIONS	0	Safe area	
	1	ATEX	
	2	TR CU EAC 012/2011	
10. MEDIA*	G10	Fiberglass 10 $\mu\text{m}$ $\beta \geq 200$	
	G15	API 10 fiberglass 15 $\mu\text{m}$ $\beta \geq 200$	
	G40	API 25 fiberglass 25 $\mu\text{m}$ $\beta \geq 200$	
	T25	wire mesh stainless steel 25 $\mu\text{m}$	
	T40	wire mesh stainless steel 40 $\mu\text{m}$	
11. & 12. VERSION	/000.	identification numbers assigned by FILTREC after order	
	0000		

## MAIN FEATURES

---

Stainless steel weld-free construction, according to API614 latest edition

\* Carbon steel, different Seals Material, filtration degree and media, please contact Customer Services

Simplex configuration available on request

Design pressure 16 bar

Design temperature + 100°C

Transfer valves: zero leak double 3 ways ball valves, full bore, with anti-static device

Filter element made with anti-static technology, to prevent electrostatic discharge

Beta rated elements according to ISO 16889 multipass test

Certification of materials EN10204 type 3.1

---

## ATEX CERTIFICATION NOTE

---

The filter is suitable for IIB gas group when:

- has no coating
- the thickness of the coating is < 2 mm

The filter is suitable for IIC gas group when:

- has no coating
  - the thickness of the coating is < 0,2 mm
- 

## TYPICAL APPLICATION FIELDS

---

Gearboxes

Steam turbines

Gas turbines

Compressors (centrifugal and others)

Generators

Driven machinery

Other rotating equipment

---

