

Filter candles for process filtration

Type 38.C filter candles

RE 51487

Edition: 2021-04



- ▶ Plug-in adapter (2x222 seal ring), centering point
- ▶ Size (length): 10"; 20"; 30"
- ▶ Diameter: 70 mm [2.76 in]
- ▶ Maximum pressure differential: 5 bar [73 psi]
- ▶ Filter rating: 1; 5 and 10 µm
- ▶ Operating temperature: +10 °C ... +80 °C [+50 °F ... +176 °F]

Features

- ▶ Multi-layer glass fiber material with support layers
- ▶ Direction of flow from the outside to the inside
- ▶ High dirt holding capacity thanks to deep filtration
- ▶ Used in the process filtration of cleaning liquids

Contents

Features	1
Ordering code filter element	2
Filter design	3
Function, set-up	4
Technical data	4
Filter media	5
Installation, commissioning and maintenance	5
Directives and standardization	5

Ordering code: Filter element**Filter candle type 38.C**

01	02	03	04	05	06			
38.C			-	P00	-	0	-	V

Frame size

01	Filter candle series 38.C	38.C
----	---------------------------	-------------

Size

02	According to Hengst standard	10MAC
		20MAC
		30MAC

Filter rating

03	Absolute (ISO 16889; $\beta_{x(c)} \geq 200$)	Glass fiber material, non-reusable (not cleanable)	H1FK
			H5FK
			H10FK

Pressure differential

04	Max. admissible pressure differential of the filter candle 5 bar [73 psi]	P00
----	---	------------

Bypass valve

05	Without bypass valve	0
----	-----------------------------	----------

Seal

06	FKM seal	V
----	----------	----------

Order example:**38.C 30MAC H1FK-P00-0-V****Material no.: R928054381**

Material no.	Type
R928034905	38.C 10MAC H1FK-P00-0-V
R928034934	38.C 10MAC H5FK-P00-0-V
R928034943	38.C 10MAC H10FK-P00-0-V

Material no.	Type
R928047447	38.C 20MAC H1FK-P00-0-V
R928047510	38.C 20MAC H5FK-P00-0-V
R928047535	38.C 20MAC H10FK-P00-0-V

Material no.	Type
R928054381	38.C 30MAC H1FK-P00-0-V
R928053684	38.C 30MAC H5FK-P00-0-V
R928047572	38.C 30MAC H10FK-P00-0-

Filter design

Easy selection of the filter size is made possible by the FilterSelect online tool. The filter can be designed using the operating pressure, flow and fluid system parameters. The required filter rating is based on the application, the sensitivity to contamination of the components and the environmental conditions.

The program leads you through the menu on a step-by-step basis.

A documentation of the filter selection can finally be created in the form of a PDF file. This file contains the entered parameters, the designed filter with material number including spare parts, and the pressure loss curves.

Link FilterSelect:

<http://www.filterselect.de>

Other languages can be selected using the page navigation.

standard search

application: hydraulics for industrial use and applications with lubricating oil

Product category: please select

type: please select

pressure range: please select

filter material: please select

fineness: please select

volume flow rate: [l/min]

viscosity:
 * = working point

kin viscosity 1: 32 [mm²/s]

search via type of medium full-text search medium
 please select
 please select

temp 1: [°C] [°F] kin viscosity 1: [mm²/s]

dyn. Viscosity 1: [cP] density 1: [kg/dm³] kin viscosity 1: [mm²/s]

collapse pressure resistance according to ISO 2941: 30 bar

Function, set-up

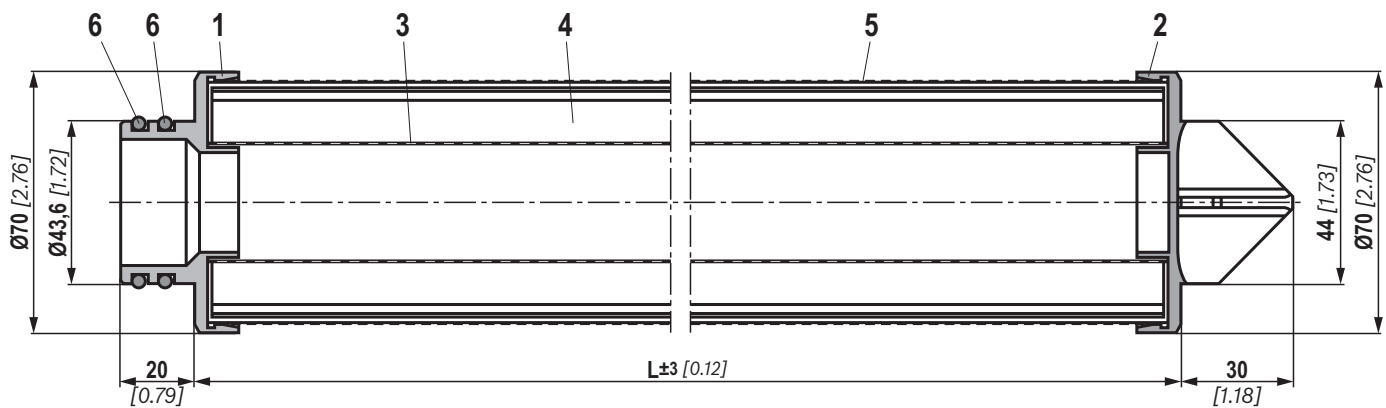
(dimensions in mm [inch])

The standard version of the filter candles can be used for all cleaning liquids commonly used in parts cleaning. This includes most watery, neutral, alkaline, acid and hydrocarbon cleaners.

With cleaners containing amine, the actual application conditions (concentration and temperature) have to be checked before use. For any others fields of application and media, please consult us first.

The filter candle consists of a composite of star-like pleated filter media (4). To ensure a high degree of stability, the filter element mat which is made of several filter layers is wrapped around a perforated support tube (3) and glued to the bottom (2) and cover (1). A perforated protective cage (5) protects the filter material against mechanical damage and allows for an even flow around the filter element mat.

The filter candle is sealed by two seal rings (6).



Type	L
38.C 10MAC	256 [10.08]
38.C 20MAC	492 [19.37]
38.C 30MAC	764 [30.08]

Technical data

(For applications outside these parameters, please consult us!)

general	
Filtration direction	From the outside to the inside
Fluid temperature range	°C [°F] +10 ... +80 [+50 ... +176]
Filter material	Glass fiber
Diameter	mm [in] 70 [2.76]
Filter area/ 10"	cm ² [in ²] 2700 [418]
Seal material	FKM
Design	
Version	Open on one side, SOE, with centering point
Slot	Plug-in adapter, double seal ring, SOE222

Filter media

Glass fiber filter material achieves the best cleanliness possible compared to other filter media. It is suitable for many watery cleaning media such as hydraulic oils, lubricants, chemical and industrial liquids. Due to its defined retention capacity (ISO 16889), it offers highly effective protection for machines and system components which are sensitive to contamination. An optimized dirt holding capacity in connection with an excellent cleanliness class is achieved by several glass fiber liners

which are relevant for filtration. The cloth used is also responsible for a very high degree of stability of the filter element in case of pulsations.

If the filter medium is properly designed and applied, it achieves a high degree of cleanliness of the media and in this way provides effective protection of the soil-sensitive parts, machines and system components which are to be cleaned.

Filtration ratio $\beta_{x(c)}$

Typical β values of up to 2.2 bar [31.9 psi]

Filter medium	Particle size "x" for different β values, measurement according to ISO 16889	
	$\beta_{x(c)} \geq 200$	$\beta_{x(c)} \geq 1000$
H1FK	< 4 $\mu\text{m}(c)$	4.5 $\mu\text{m}(c)$
H5FK	4.5 $\mu\text{m}(c)$	5.5 $\mu\text{m}(c)$
H10FK	7.7 $\mu\text{m}(c)$	9.0 $\mu\text{m}(c)$

Installation, commissioning and maintenance

When does the filter candle have to be exchanged?

As soon as the dynamic pressure or the pressure differential set at the maintenance indicator is reached, the filter candle has to be exchanged.

It should be exchanged after 6 months at the latest.

Notice:

If the maintenance indicator is ignored, the disproportionately increasing pressure differential may damage (collapse) the filter candle.

WARNING!

- ▶ Filters are containers under pressure. Before opening the filter housing, check whether the system pressure in the filter has been decreased to ambient pressure. Only then may the filter housing be opened for maintenance.
- ▶ Functional and safety warranty only applicable when using genuine Hengst spare parts.
- ▶ Warranty becomes void if the delivered item is changed by the ordering party or third parties or improperly mounted, installed, maintained, repaired, used or exposed to environmental conditions that do not comply with the installation conditions.

Directives and standardization

Product validation

Hengst filter elements are tested and quality-monitored according to different ISO test standards:

Filtration performance test (multipass test)	ISO 16889:2008-06
Δp (pressure loss) characteristic curves	ISO 3968:2001-12
Compatibility with hydraulic fluid	ISO 2943:1998-11
Collapse pressure test	ISO 2941:2009-04
Fluid Technology; Hydraulic Filter – Part 2; Assessment Criteria and Requirements	DIN 24550-2:2006-09

The development, manufacture and assembly of Hengst industrial filters and Hengst filter elements is carried out within the framework of a certified quality management system in accordance with ISO 9001:2015.

Notes

Hengst Filtration GmbH
Hardtwaldstr. 43
68775 Ketsch, Germany
Phone +49 (0) 62 02 / 6 03-0
hydraulicfilter@hengst.de
www.hengst.com

© This document, as well as the data, specifications and other information set forth in it, are the exclusive property of Hengst Filtration GmbH. It may not be reproduced or given to third parties without consent of Hengst Filtration GmbH. The data specified above only serve to describe the product. No statements concerning a certain condition or suitability for a certain application can be derived from our information. The information given does not release the user from the obligation of own judgment and verification. It must be remembered that our products are subject to a natural process of wear and aging.