



GLOBE AIRMOTORS B.V.

GLOBE Stainless steel GFRL units



2 part unit



3 part unit

Features:

- For high pressure use, corrosion and chemical resistance
- For removal of water and particles in the air
- Accurate and sensitive pressure setting
- Lubricator can be replenished without stopping air supply
- Oil spray in mist ensures good lubrication for machines

All units are available with both NPT and BSP ports.

2 Part GFRL unit

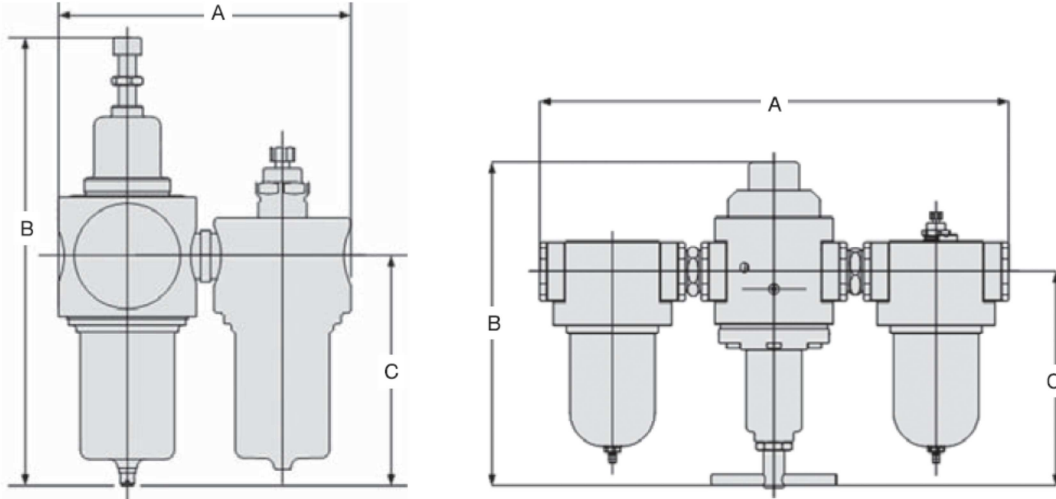
Dimensions

| Type | A (mm) | B (mm) | C (mm) |
|---------------------------|--------|--------|--------|
| GLOBE GFRL INOX316 G 1/8" | 90 | 150 | 80 |
| GLOBE GFRL INOX316 G 1/4" | 138 | 240 | 125 |
| GLOBE GFRL INOX316 G 3/8" | 138 | 240 | 125 |
| GLOBE GFRL INOX316 G 1/2" | 168 | 250 | 130 |
| GLOBE GFRL INOX316 G 3/4" | 188 | 307 | 165 |
| GLOBE GFRL INOX316 G 1" | 188 | 307 | 165 |

3 Part GFRL unit

Dimensions

| Type | A (mm) | B (mm) | C (mm) |
|-----------------------------|--------|--------|--------|
| GLOBE GFRL INOX316 G 1/4" | 212 | 167 | 129 |
| GLOBE GFRL INOX316 G 1/2" | 257 | 171 | 136 |
| GLOBE GFRL INOX316 G 3/4" | 324 | 283 | 217 |
| GLOBE GFRL INOX316 G 1" | 324 | 283 | 217 |
| GLOBE GFRL INOX316 G 1 1/2" | 539 | 385 | 257 |
| GLOBE GFRL INOX316 G 2" | 539 | 385 | 257 |



Dimensions