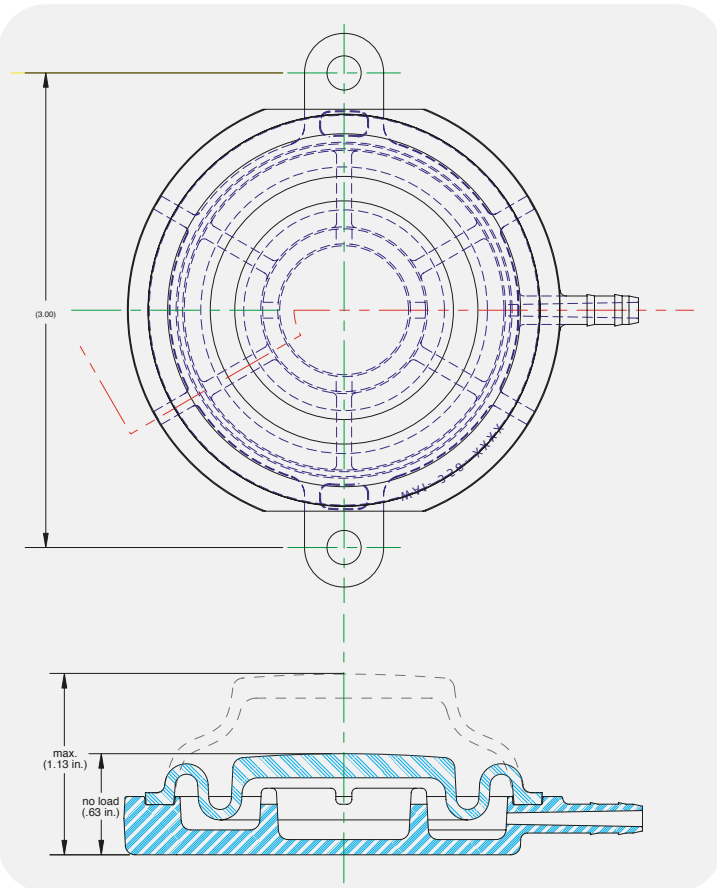
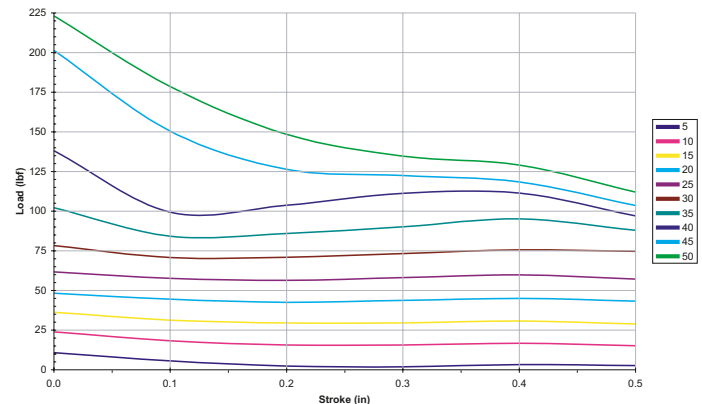


## 70-P-13

Firestone Industrial Products Company is announcing the introduction of a completely new range of pneumatic actuators. The Airomatic® polyactuator line consists of engineered plastic molded elements welded together in a sealed unit. Sizes and shapes can be designed to meet specific needs. The benefits are much the same as Firestone's world leading Airstroke® actuator product line.



Airomatic Actuator  
Load vs. Stroke



### Description

The capabilities of our first part, the low profile 70-P-13 shown above, are:

- No pistons, rods, or sliding seals, so friction, bending, scoring and wear are no problem
- The minimum height on this model is only about .6 inches (16 mm) so it will fit in very small spaces.
- It is capable of strokes up to .5 inch (13mm) and forces over 100 lbs (.45 kN) at 50 psig (3.5 bar).
- This product has been tested under laboratory for millions of cycles without product failure or performance degradation.

**Contact Us at:**

800.888.0650

[www.fsip.com/airomatic](http://www.fsip.com/airomatic)

Copyright © 2004 Firestone Industrial Products Company

**Firestone**

World's Number 1  
Air Spring.



FIRESTONE INDUSTRIAL PRODUCTS COMPANY

AIROTECH\_0204