



Short form catalogue

Fittings Series 9000 C-Truck



Certificate TÜV

ZERTIFIKAT ◆ CERTIFICATE ◆ 認証証書 ◆ CERTIFICADO ◆ CERTIFICAT



Product Service

CERTIFICATE

No. B 09 04 67334 002

Holder of Certificate: Camozzi S.P.A.Via Eritrea 20/L
25126 Brescia
ITALY**Production Facility(ies):** 67336**Certification Mark:****Product:** Air Brake
Push- in Fittings**Model(s):** C-Truck 9000**Parameters:** Disconnectable Air Brake Fittings for Trucks
Connectable to Air Brake Hoses with
Diameter 6; 8; 10;12; 15; 16; 18mm**Tested according to:** DIN 74324:1996
DIN EN ISO 9227:2005
DIN EN 60068-2-6:1996

The product was tested on a voluntary basis and complies with the essential requirements. The certification mark shown above can be affixed on the product. The certification mark must not be altered in any way. See also notes overleaf.

Test report no.: 75236021/1Date, 2009-04-07
Page 1 of 1



TÜV SÜD Product Service GmbH · Zertifizierstelle · Biederstrasse 65 · 80339 München · Germany

New

Fittings Series 9000 C-Truck for polyamide tubes

For tubes external 4, 6, 8, 10, 12, 15, 16 and 18 mm
DIN 74324 and GOST R 51190-98.



The Series C-Truck fittings have been designed for use in the pneumatic braking systems on vehicles. They have been designed to allow quick tube assembly and disassembly without the need to remove the fitting. The fittings have a protective cover to keep humidity and dirt away from the collet. The insert gives the tube dimensional stability, even when there are extreme changes in temperature.

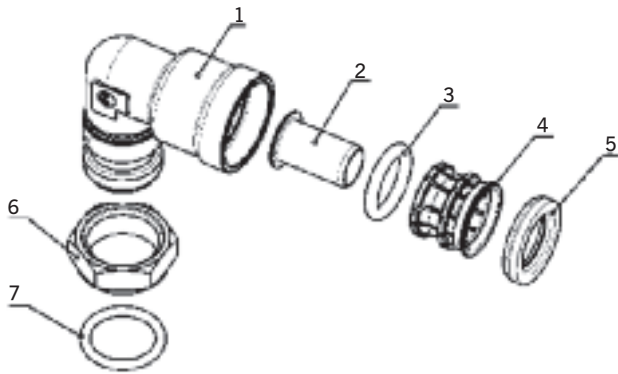
Fittings that need to be positioned to a precise angle are supplied with a locking nut. The sealing O-ring is situated into a special groove in the thread to make sure there is no damage during assembly. On the straight fittings the thread seal is formed using a PTFE seal. The body, tube insert, collet and locking nut are made produced in brass to give a high level of corrosive resistance. The material used for the sealing rings and the protective cover is a special rubber resistant to oils and petrol.

The fittings are suitable for use in temperatures between -50 and +100 °C. The working pressure is according to the thermoplastic tubes' used, with Max value of 16 bar. The fittings and tube are in compliance with standards DIN 74324:1996, DIN EN ISO 9227:2006, DIN EN 60068-2-6:1996, GOST 4364-81 and GOST R 51190-98 (compliance certificates are available on request). Fittings are pre-assembled and are therefore ready for assembly.

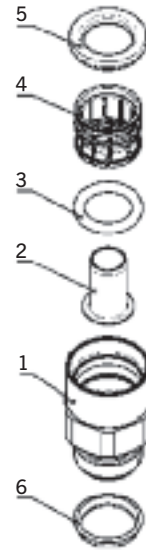
General data

Materials	Brass body, collet, locking nut and insert; zinc-plated steel locking nut; technopolymer insert insert PTFE sealing on thread (straight fittings), O-Ring NBR (angle and T fittings) O-Ring NBR pipe seal NBR cap
Thread	Metric
Working pressure	0 ÷ 16 bar
Maximum pressure	According to the polyamide tube specifications
Tube	Polyamide (D/d) 4/2, 6/4, 8/6, 10/8, 12/9, 15/12, 16/13 and 18/14
Fluid	Compressed air
Temperature	-50 ÷ +100 °C (see the tubes' specifications)

Fittings view



No.	Parts name	No.	Parts name
1	Body	5	Cap
2	Insert	6	Nut
3	S-rapid O-Ring	7	Thread O-Ring
4	Collet		



No.	Parts name	No.	Parts name
1	Body	5	Cap
2	Insert	6	PTFE seal
3	S-rapid O-Ring		
4	Collet		

General characteristics tube

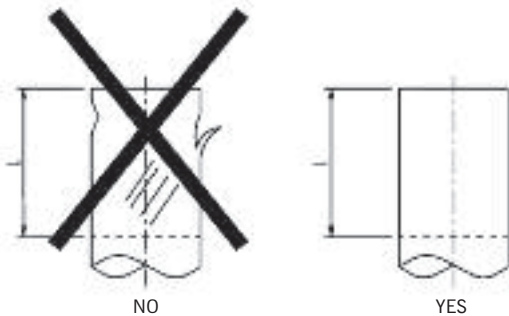
The Push-In fittings can be used in all pneumatic braking systems using polyamide tube. Table 1 shows the tube diameters that can be used.

Tube Outer/Inner diameter	Maximum pressure at 20°C, bar
4/2	33
6/4	27
8/6	19
10/8	15
12/9	19
15/12	15
18/14	17
16/13	15



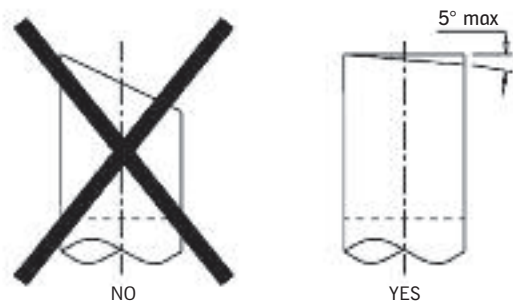
Surface and geometric tube characteristics

To guarantee the tubes seal with the fitting it is necessary to do the following. The tube that goes inside the fitting along the whole insert length L (Table 2) should not be damaged, have any cuts, scratches or burrs.



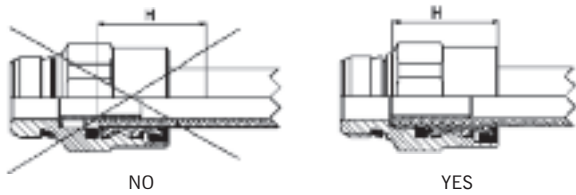
Tube Diameter	Insert length L, mm
4/2	9,5
6/4	9,5
8/6	9,5
10/8	11
12/9	11
15/12	11,5
16/13	13
18/14	13

The angle between the tube and the fitting should not be greater than 5°. In order to guarantee a proper seal it is recommended that you use the tube cutting tool model PNZ.



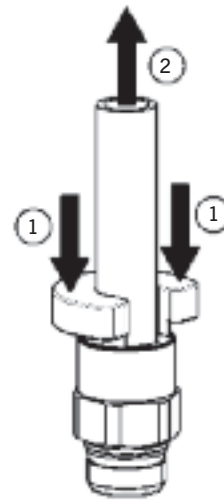
Tube assembly and disassembly

The tube assembly and disassembly must be done by an expert technician who knows exactly how the fittings have been made. The tube needs to be inserted in the fitting up to the insert stop for the whole length H (Table 3). It is recommended that you mark the tube to indicate that it has been fully inserted into the fitting.



Tube Outer/Inner diameter	Assembly length H, mm
4/2	18,5
6/4	18
8/6	19,5
10/8	22
12/9	21
15/12	25
16/13	27,5
18/14	27,5

To disconnect the tube it is necessary to push the fitting protection cap with the use of a special tool. First make sure no air is present inside, then press the protection cap in towards the fitting body, remove the tube from the fitting.



Fitting assembly in the system

To guarantee the thread seal in the system, make sure that the thread chamfer conforms to the standard GOST 10549-80 (red. 1992).

The straight fittings which do not require to be orientated according to any angle and which have a PTFE seal on the thread have to be screwed into the system with the following torque forces shown in table 4. This will give a guaranteed seal. This kind of fitting can be assembled and disassembled up to 5 times without compromising the seal.

For the assembly of fittings which have an O-ring on the thread, it is necessary to do the following:

- loosen the locking nut;
- screw the fitting into the system until the O-ring comes into contact with the system surface;
- position the fitting, moving the body according to the right angle up to 360°, keep the body still, screw the locking nut with torque forces shown in Table 4.

Thread	Torque force, N·m
M10X1	11-15
M12X1,5	15-19
M14X1,5	19-23
M16X1,5	24-30
M18X1,5	27-33
M22X1,5	36-44

FITTINGS CODING

9502 | **12** | **-** | **M16X1,5** | **-** | **S**

- 9502** » MODEL
- S9510 = Super-rapid NON releasable version straight fitting
 - 9510 = Super-rapid NON releasable version straight fitting
 - 9463 = Super-rapid NON releasable version with female thread
 - 9502 = Super-rapid NON releasable version angle fitting
 - 9500 = Super-rapid NON releasable version angle fitting
 - 9412 = Super-rapid NON releasable version 3 ports horizontal fitting
 - 9410 = Super-rapid NON releasable version 3 ports horizontal fitting
 - 9422 = Super-rapid NON releasable version 3 ports vertical fitting
 - 9420 = Super-rapid NON releasable version 3 ports vertical fitting
 - 9580 = Super-rapid NON releasable version connector
 - 9590 = Super-rapid NON releasable version bulkhead connector
 - 9592 = Super-rapid NON releasable version bulkhead connector
 - 9540 = Super-rapid NON releasable version 3 ports fitting
 - 2512/2502 = Accessory bulkhead connector
 - S2601 = Accessory hose adapter
 - S2610 = Accessory tap
 - D2022 = Accessory angle fitting
 - D2062 = Accessory 3 ports horizontal fitting
 - D2072 = Accessory 3 ports vertical fitting
 - D2003 = Accessory 3 ports fitting
 - VPC = Test point valve
 - VDC = Drain valve
 - TRN = Tube
 - DRK = Pipe disconnecting key
 - PNZ = Tube cutter tool

- 12** » TUBE DIAMETER (mm)
- | | | |
|---|----|----|
| 4 | 10 | 16 |
| 6 | 12 | 18 |
| 8 | 15 | |

- M16x1,5** » THREAD
- | | | |
|---------|---------|---------|
| M10x1 | M14x1,5 | M18x1,5 |
| M12x1,5 | M16x1,5 | M22x1,5 |

- S** » SPECIAL

Fittings mod. S9510



DIMENSIONS

Mod.	A	D	F	G	H	L	SW
DS6510 4-M10x1*	4	M10x1	11,7	13,2	7	24	12
S9510 6-M10x1	6	M10x1	13,8	15	7	26,5	14
S9510 6-M12x1,5	6	M12x1,5	13,8	15	9	26,5	14
S9510 6-M14x1,5	6	M14x1,5	13,8	15	9	25	14
S9510 6-M16x1,5	6	M16x1,5	13,8	17	9	22	14
S9510 8-M10x1	8	M10x1	16,5	18,5	7	29	17
S9510 8-M12x1,5	8	M12x1,5	16,5	18,5	9	30,5	17
S9510 8-M14x1,5	8	M14x1,5	16,5	18,5	9	28,5	17
S9510 8-M16x1,5	8	M16x1,5	16,5	18,5	9	27,5	17
S9510 8-M22x1,5	8	M22x1,5	16,5	26,5	10	21	24
S9510 10-M12x1,5	10	M12x1,5	18,5	20,5	9	35	19
S9510 10-M16x1,5	10	M16x1,5	18,5	20,5	9	30,5	19
S9510 10-M18x1,5	10	M18x1,5	18,5	20,5	9	29	19
S9510 10-M22x1,5	10	M22x1,5	18,5	22,7	10	24	19
S9510 12-M12x1,5	12	M12x1,5	19,8	21,5	9	33,5	20
S9510 12-M14x1,5	12	M14x1,5	19,8	21,5	9	33	20
S9510 12-M16x1,5	12	M16x1,5	19,8	21,5	9	31,5	20
S9510 12-M22x1,5	12	M22x1,5	21	26,5	10	25,5	24
S9510 15-M16x1,5	15	M16x1,5	23,8	26,5	9	38	24
S9510 15-M22x1,5	15	M22x1,5	23,8	26,5	10	31,5	24
S9510 16-M22x1,5	16	M22x1,5	25	30	10	36	27
S9510 18-M22x1,5	18	M22x1,5	26,8	30	10	39,5	27

*Ø4 supplied with protection cap Series 6708 and without insert



Fittings mod. 9510

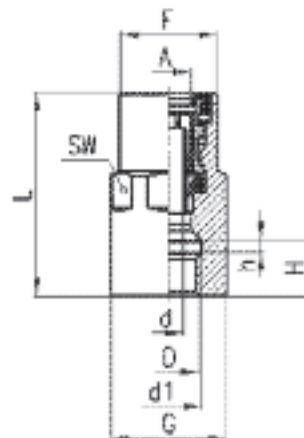


DIMENSIONS

Mod.	A	D	F	G	H	L	SW
9510 6-02	6	1/8 NPTF	13,8	15	8	24,5	14
9510 05-02	8	1/8 NPTF	16,5	18,5	8	30	17



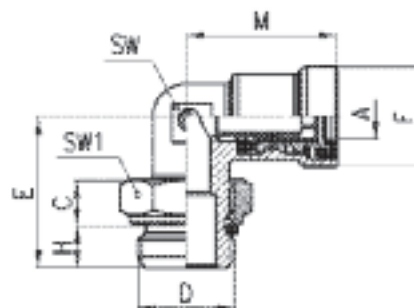
Fittings mod. 9463



DIMENSIONS

Mod.	A	D	d	d1	H	h	L	F	G	SW
9463 6-M10x1	6	M10x1	3	11	9	2	31,5	13,8	15	14
9463 6-M16x1,5	6	M16x1,5	3	-	10,5	-	34	15,3	21	19
9463 8-M10x1	8	M10x1	5	11	9	2	33	16,5	18,5	17

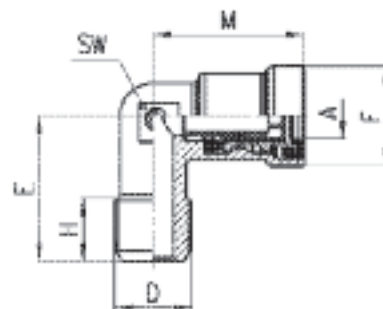
Fittings mod. 9502



DIMENSIONS

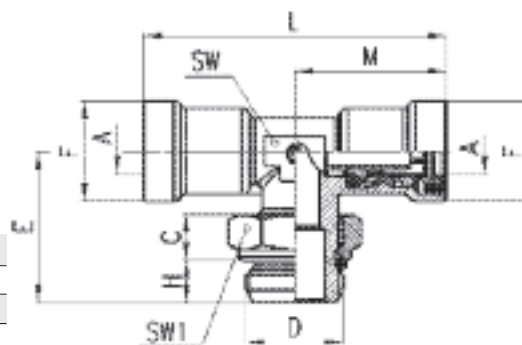
Mod.	A	C	D	E	F	H	M	SW	SW1
9502 6-M10x1	6	5	M10x1	21	14,5	5	22,5	9	14
9502 6-M12x1,5	6	7	M12x1,5	23,5	14,5	7,5	22,5	9	17
9502 6-M16x1,5	6	7,5	M16x1,5	25	14,5	7	23	11	19
9502 8-M10x1	8	5	M10x1	22	16,5	5	25	11	14
9502 8-M12x1,5	8	7	M12x1,5	25	16,5	7,5	25	11	17
9502 8-M14x1,5	8	7,5	M14x1,5	25	16,5	7	25	11	19
9502 8-M16x1,5	8	7,5	M16x1,5	25	16,5	7	25	11	19
9502 8-M22x1,5	8	8,5	M22x1,5	30	16,5	8	26,5	15	27
9502 10-M12x1,5	10	7	M12x1,5	26	18,5	7,5	28,5	13	17
9502 10-M16x1,5	10	7,5	M16x1,5	26	18,5	7	28,5	13	19
9502 10-M22x1,5	10	8,5	M22x1,5	30	18,5	8	29	15	27
9502 12-M12x1,5	12	7	M12x1,5	27	21	7,5	29	15	17
9502 12-M16x1,5	12	7,5	M16x1,5	27	21	7	29	15	19
9502 12-M22x1,5	12	8,5	M22x1,5	30	21	8	29	15	27
9502 15-M16x1,5	15	7,5	M16x1,5	29,5	24	7	36	18	19
9502 15-M22x1,5	15	8,5	M22x1,5	31,5	24	8	36	18	27
9502 16-M22x1,5	16	8,5	M22x1,5	33	25	8	39	21	27
9502 18-M22x1,5	18	8,5	M22x1,5	33	27	8	39	21	27

Fittings mod. 9500



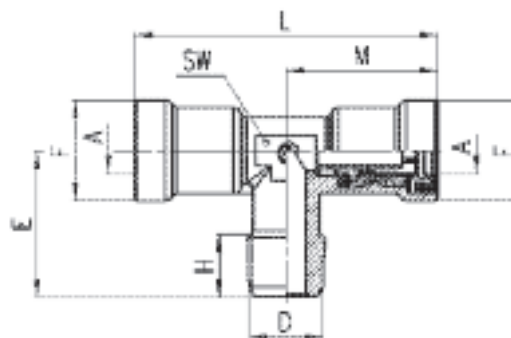
DIMENSIONS							
Mod.	A	D	E	F	H	M	SW
9500 6-02	6	1/8 NPTF	17,5	14,5	8,5	22,5	9
9500 05-02	8	1/8 NPTF	17,5	16,5	8,5	25	11

Fittings mod. 9412



DIMENSIONS										
Mod.	A	C	D	E	F	H	L	M	SW	SW1
9412 6-M10x1	6	5	M10x1	22	14,5	5	45	22,5	9	14
9412 6-M12x1,5	6	7	M12x1,5	27	14,5	7,5	46	23	11	17
9412 6-M16x1,5	6	7,5	M16x1,5	27	14,5	7	46	23	11	19
9412 8-M12x1,5	8	7	M12x1,5	27	16,5	7,5	50	25	11	17
9412 8-M16x1,5	8	7,5	M16x1,5	27	16,5	7	50	25	11	19
9412 8-M22x1,5	8	8,5	M22x1,5	32	16,5	8	43,5	26,5	15	27
9412 10-M16x1,5	10	7,5	M16x1,5	29	18,5	7	59	29,5	15	19
9412 10-M22x1,5	10	8,5	M22x1,5	32	18,5	8	59	29,5	15	27
9412 12-M12x1,5	12	7	M12x1,5	29	21	7,5	58	29	15	17
9412 12-M16x1,5	12	7,5	M16x1,5	29	21	7	58	29	15	19
9412 12-M22x1,5	12	8,5	M22x1,5	32	21	8	58	29	15	27
9412 15-M16x1,5	15	7,5	M16x1,5	32,5	24,5	7	68	34	18	19
9412 15-M22x1,5	15	8,5	M22x1,5	34	24,5	8	68	34	18	27

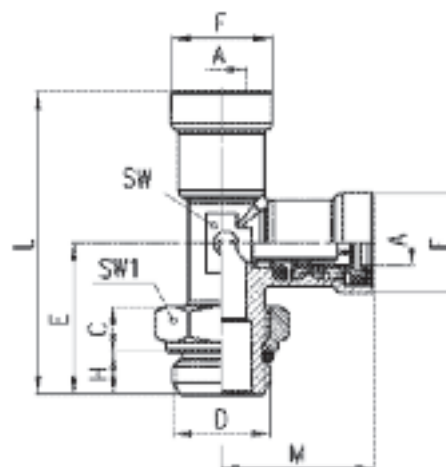
Fittings mod. 9410



DIMENSIONS

Mod.	A	D	E	F	H	L	M	SW1
9410 6-02	6	1/8 NPTF	17	14,5	8,5	45	22,5	9
9410 05-02	8	1/8 NPTF	18	16,5	8,5	50	25	11

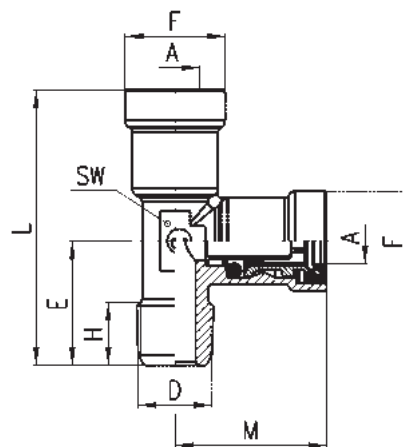
Fittings mod. 9422



DIMENSIONS

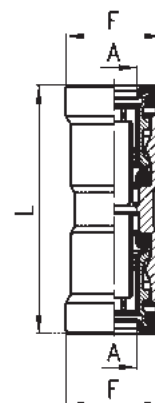
Mod.	A	C	D	E	F	H	L	M	SW	SW1
9422 6-M10x1	6	5	M10x1	22	14,5	5	44,5	22,5	9	14
9422 6-M12x1,5	6	7	M12x1,5	24	14,5	7,5	48	22,5	9	17
9422 6-M16x1,5	6	7,5	M16x1,5	27	14,5	7	50	23	11	19
9422 8-M12x1,5	8	7	M12x1,5	27	16,5	7,5	52	25	11	17
9422 8-M16x1,5	8	7,5	M16x1,5	27	16,5	7	52	25	11	19
9422 8-M22x1,5	8	8,5	M22x1,5	32	18,5	8	58,5	26,5	15	27
9422 10-M16x1,5	10	7,5	M16x1,5	29	18,5	7	58,5	29,5	15	19
9422 10-M22x1,5	10	8,5	M22x1,5	32	18,5	8	61,5	29,5	15	27
9422 12-M12x1,5	12	7	M12x1,5	29	21	7,5	58	29	15	17
9422 12-M16x1,5	12	7,5	M16x1,5	29	21	7	58	29	15	19
9422 12-M22x1,5	12	8,5	M22x1,5	32	21	8	61	29	15	27
9422 15-M16x1,5	15	7,5	M16x1,5	32,5	24,5	7	66,5	34	18	19
9422 15-M22x1,5	15	8,5	M22x1,5	34	24,5	8	68	34	18	27

Fittings mod. 9420



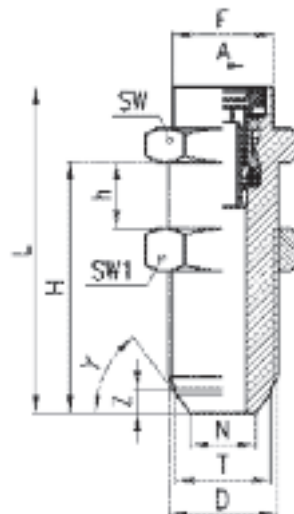
DIMENSIONS								
Mod.	A	D	E	F	H	L	M	SW
9420 6-02	6	1/8 NPTF	17	14,5	8,5	39,5	22,5	9
9420 05-02	8	1/8 NPTF	18	16,5	8,5	43	25	11

Fittings mod. 9580



DIMENSIONS			
Mod.	A	F	L
9580 6	6	14	37,5
9580 8	8	16	41
9580 10	10	18	46,5
9580 12	12	20	44,5

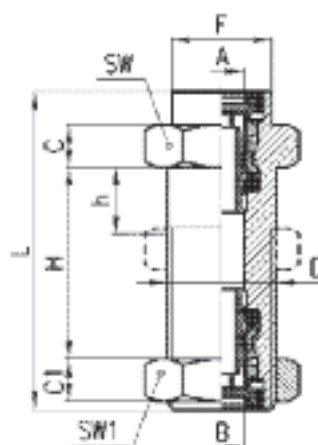
Fittings mod. 9590



DIMENSIONS

Mod.	A	D	F	H	h	L	N	T	Y	Z	SW	SW1
9590 8-M18x1,5-S01	8	M18x1,5	-	50	10	55,5	10,8	15,7	53	4	22	22
9590 12-M18x1,5-S01	12	M18x1,5	20,5	34	4	52,5	11	16	60	5	22	22

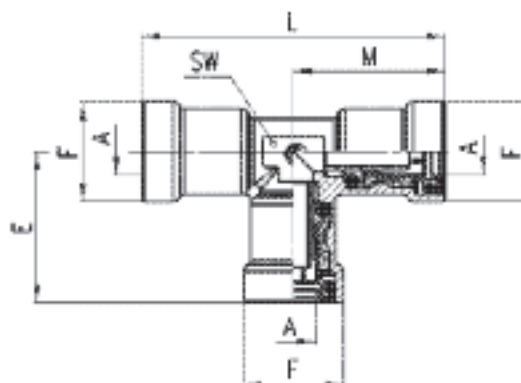
Fittings mod.9592



DIMENSIONS

Mod.	A	B	C	C1	D	F	H	h	L	SW	SW1
9592 8-8-M18X1	8	8	7	5,5	M18x1	-	30	18	43,5	22	22
9592 12-8-M18X1	12	8	7	7,5	M18x1	20,5	30	18	56,5	22	22

Fittings mod. 9540



DIMENSIONS

Mod.	A	E	F	L	M	SW
9540 6	6	22,5	14,5	45	22,5	9
9540 8	8	25	16,5	50	25	11
9540 10	10	28,5	18,5	57	28,5	13
9540 12	12	29	21	58	29	15

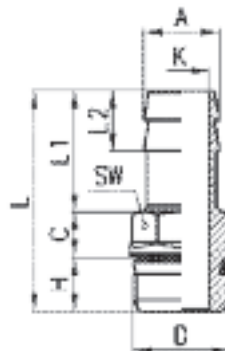
Fittings mod. D2512 and D2502



DIMENSIONS

Mod.	D	D1	d	d1	H	H1	h	h1	C	C1	L	SW	SW1
D2512 M22x1,5-M16x1,5	M22x1,5	M16x1,5	M16x1,5	M10x1	9	9	10,5	10,5	8	8	30	27	22
D2502 M22x1,5-M22x1,5	M22x1,5	M22x1,5	M16x1,5	M16x1,5	9	9	10,5	10,5	8	8	30	27	27

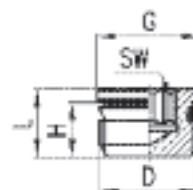
Fittings mod. S2601



DIMENSIONS

Mod.	A	D	H	C	L	L1	L2	K	SW
S2601 12-M16x1,5-S01	12,5	M16x1,5	9	5	36,5	20	10	9	14
S2601 12-M22x1,5-S01	12,5	M22x1,5	10	5	38,5	20	10	9	19

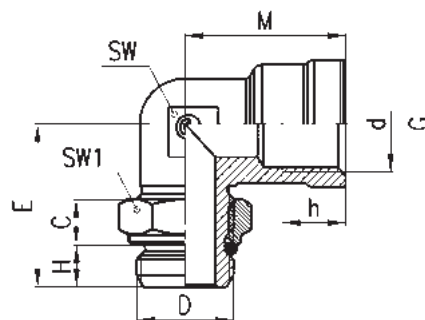
Fittings mod. S2610



DIMENSIONS

Mod.	D	H	L	G	SW
S2610 M12x1,5-S01	M12x1,5	9	11	12,9	6
S2610 M16x1,5-S01	M16x1,5	9	11	17	8
S2610 M22x1,5-S01	M22x1,5	10	12	22,7	12

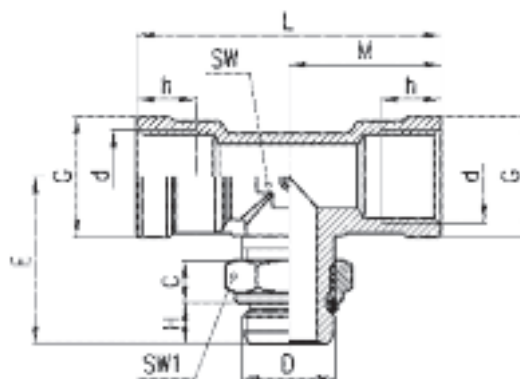
Fittings mod. D2022



DIMENSIONS

Mod.	D	d	C	E	G	H	h	M	SW	SW1
D2022 M16x1,5-M16x1,5	M16x1,5	M16x1,5	7,5	27	21	7	10,5	26,5	15	19
D2022 M16x1,5-M22x1,5	M22x1,5	M16x1,5	8,5	30	27	8	10,5	26,5	15	27
D2022 M22x1,5-M22x1,5	M22x1,5	M22x1,5	8,5	33	27	8	11	32,5	21	27

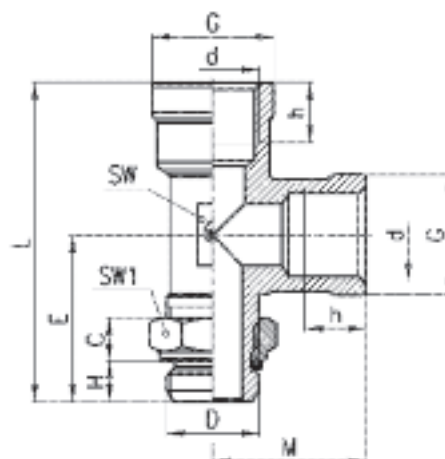
Fittings mod. D2062



DIMENSIONS

Mod.	d	D	C	E	G	H	h	L	M	SW	SW1
D2062 M16x1,5-M12x1,5	M16x1,5	M12x1,5	7	29	21	7,5	10,5	53	26,5	15	17
D2062 M16x1,5-M16x1,5	M16x1,5	M16x1,5	7,5	29	21	7	10,5	53	26,5	15	19
D2062 M16x1,5-M22x1,5	M16x1,5	M22x1,5	8,5	32	21	8	10,5	58	29	18	27
D2062 M22x1,5-M22x1,5	M22x1,5	M22x1,5	8,5	35	27	8	11	64	32	21	27

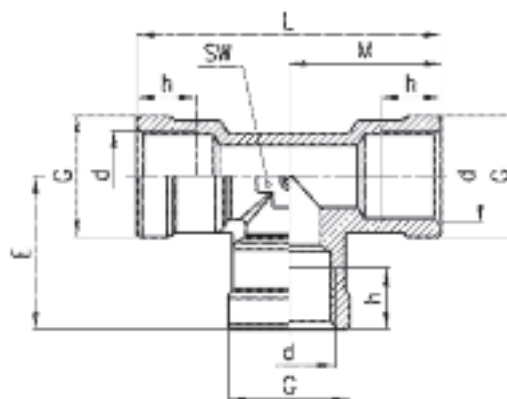
Fittings mod. D2072



DIMENSIONS

Mod.	d	D	C	E	G	H	h	L	M	SW	SW1
D2072 M16x1,5-M12x1,5	M16x1,5	M12x1,5	7	29	21	7,5	10,5	55,5	26,5	15	17
D2072 M16x1,5-M16x1,5	M16x1,5	M16x1,5	7,5	29	21	7	10,5	55,5	26,5	15	19
D2072 M16x1,5-M22x1,5	M16x1,5	M22x1,5	8,5	32	21	8	10,5	61	29	18	27
D2072 M22x1,5-M22x1,5	M22x1,5	M22x1,5	8,5	35	27	8	11	67	32	21	27

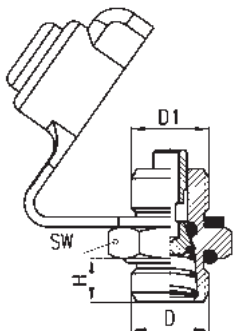
Fittings mod. D2003



DIMENSIONS

Mod.	d	C	E	G	H	h	M	L	SW	SW1
D2003 M16x1,5	M16x1,5	7,5	26,5	21	7	10,5	26,5	53	15	19
D2003 M22x1,5	M22x1,5	8,5	32	27	8	11	32	64	21	27

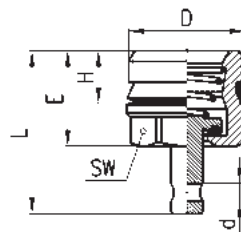
Fittings mod. VPC



DIMENSIONS

Mod.	D	D1	H	SW1
VPC M16x1,5-M16x1,5-S01	M16x1,5	M16x1,5	9	22
VPC M22x1,5-M16x1,5-S01	M22x1,5	M16x1,5	9	27

Fittings mod. VDC



DIMENSIONS

Mod.	D	d	H	E	L	SW
VDC M22x1,5-S01	M22x1,5	3,4	10	18	31	19

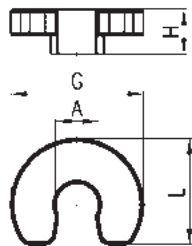
TRN ...



DIMENSIONS

Mod.	D	d	Minimum band radius, mm
TRN 4/2 NX	4	2	16
TRN 6/4 NX	6	4	30
TRN 8/6 NX	8	6	40
TRN 10/8 NX	10	8	60
TRN 12/9 NX	12	9	60
TRN 15/12 NX	15	12	90
TRN 16/13 NX	16	13	205
TRN 18/14 NX	18	14	235

DRK ...



DIMENSIONS

Mod.	A	G	H	L
DRK 4	4	25	7,5	19
DRK 6	6	25	7,5	19
DRK 8	8	25	8,5	20
DRK 10	10	30	10,5	23
DRK 12	12	30	10,5	23
DRK 15	15	35	11,5	29,5
DRK 16	16	35	11,5	29,5
DRK 18	18	40	13,5	32

PNZ ...



DIMENSIONS

Mod.
PNZ-12
PNZ-25



Air that moves the world

Camozzi spa
Società Unipersonale
 Via Eritrea, 20/I
 25126 Brescia
Italy
 Tel. +39 030/37921
 Fax +39 030/2400430
 info@camozzi.com
 www.camozzi.com

Camozzi GmbH Pneumatic
 Porschestrasse 1
 73095 Albershausen
Germany
 Tel. +49 7161/910100
 Fax +49 7161/9101099
 info@camozzi.de
 www.camozzi.de

Camozzi GmbH Pneumatic
 Löfflerweg 18
 6060 Hall in Tirol
Austria
 Tel. +43 5223/52888-0
 Fax +43 5223/52888-500
 info@camozzi.at
 www.camozzi.at

Camozzi Pneumatics Ltd.
 The Fluid Power Centre
 Watling Street
 Nuneaton - Warwickshire
 CV 11 6BQ
United Kingdom
 Tel. +44 24/7637 4114
 Fax +44 24/7634 7520
 info@camozzi.co.uk
 www.camozzi.co.uk

Camozzi Pneumatique
 5, Rue Louis Gattefossé
 Parc de la Bandonnière
 69800 Saint Priest
France
 Tel. +33 478/213408
 Fax +33 472/280136
 info@camozzi.fr
 www.camozzi.fr

Camozzi Benelux B.V.
 De Vijf Boeken 1 A
 2911 BL Nieuwerkerk a/d IJssel
The Netherlands
 Tel. +31 180/316677
 Fax +31 180/316616
 info@camozzi.nl
 www.camozzi.nl

Camozzi Pneumatik AB
 Box 9214
 Bronsyrögatan 7
 20039 Malmö
Sweden
 Tel. +46 40/222580
 Fax +46 40/223878
 info@camozzi.se
 www.camozzi.se

Camozzi Aps
 Metalvej 7a
 4000 Roskilde
Denmark
 Tel. +45 46/750202
 Fax +45 46/750203
 info@camozzi.dk
 www.camozzi.dk

Camozzi Pneumatic Ltd.
 Floor 14, Leningradskaya Street, 1-A
 Himki, Moscow Region
 141400 Moskau
Russian Federation
 Tel. +7 495/7354961
 Fax +7 495/7354961
 info@camozzi.ru
 www.camozzi.ru

Camozzi-Pneumatic
 38 Larionova St
 95018 Simferopol
Ukraine
 Tel. +380 652/518198
 Fax +380 652/515700
 info@camozzi.com.ua
 www.camozzi.ru

Camozzi Pneumatic
 Karbusheva St. 9 Off. 412
 246029 Gomel
Byelorussia
 Tel. +375 232478064
 232473920 - 232478417
 Fax +375 232478417
 camozzi@mail.gomel.by

Camozzi Pneumatic Kazakhstan LLP
 Shevchenko/Radostovec,
 165b/72g, off. 503
 050009 Almaty
Kazakhstan
 Tel. +7 727/3335334
 Fax +7 727/3335334
 info@camozzi.kz

Camozzi Pneumatics Inc.
 2160 Redbud Blvd., TX 75069
 P.O. Box 2386, TX 75070
 McKinney - Texas
USA
 Tel. +1 972/5488885
 Fax +1 972/5482110
 info@camozzi-usa.com
 www.camozzi-usa.com

Camozzi Neumatica de Mexico S.A. de C.V.
 Lago Tanganica 707
 Col. Ocho Cedros 2ª sección
 50170 Toluca
México
 Tel. +52 722/2707880
 Fax +52 722/2707860
 camozzi@camozzi.com.mx
 www.camozzi.com.mx

Camozzi do Brasil Ltda.
 Rua Estácio de Sá, 1042
 CEP 13080-010 Campinas SP
Brazil
 Tel. +55 19/2137 4500
 Fax +55 19/2137 4530
 sac@camozzi.com.br
 www.camozzi.com.br

Camozzi Neumatica S.A.
 Prof. Dr. Pedro Chutro 3048
 1437 Buenos Aires
Argentina
 Tel. +54 11/49110816
 Fax +54 11/49124191
 info@camozzi.com.ar
 www.camozzi.com/arg

Camozzi Venezuela S.A.
 Calle 146 con Av. 62
 N°146-180
 P.O.Box 529
 Zona Industrial Maracaibo
 Edo. Zulia
Venezuela
 Tel. +58 261/7360216
 Fax +58 261/7360401
 info@camozzi.com.ve
 www.camozzi.com.ve

Camozzi Iran Co. Ltd.
 Motehari Ave. No. 243
 Teheran
Iran
 Tel. +98 21/88732130
 Fax +98 21/88738552
 general_secretary@camozziran.com
 www.camozzi.com/ir

Shanghai Camozzi Pneumatic Control Components Co, Ltd.
 415, Ren De Road
 200434 Shanghai
China
 Tel. +86 21/65363650
 Fax +86 21/65360613
 info@camozzi.com.cn
 www.camozzi.com/cn

Shanghai Camozzi Automation Control Co, Ltd.
 717, Shuang Dan Road,
 Malu Town
 201801 Jiading Ind. District
 Shanghai
China
 Tel. +86 21/59100999
 Fax +86 21/59100333
 info@camozzi.com.cn
 www.camozzi.com/cn

Camozzi India Private Limited
 No D-44 Phase II Ext.,
 Hosiery Complex
 Noida - 201 305
 Uttar Pradesh
India
 Tel. +91 120/2560 861
 Fax +91 120/2568 866
 info@camozzi-india.com
 www.camozzi.com/in

Camozzi Malaysia SDN. BHD.
 30 & 32, Jalan Industri USJ 1/3
 Taman Perindustrian USJ 1
 47600 Subang Jaya
Malaysia
 Tel. +60 3/80238400
 Fax +60 3/80235626
 camozzijb@myjaring.net

Technical assistance

Technical information
 Special products
 Tel. +39+030+3792390
 service@camozzi.com

Technical information
 Product information
 Site visit request
 Tel. +39+030+3792790
 service@camozzi.com

aggiorniamo data
 a 10/2009??