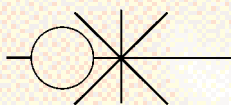


Quick-release couplings

Nominal diameter $\varnothing 5$ and 8 mm
 Plastic tubes 6/4, 8/6, 10/8
 Rubber hoses 6x14, 8x17, 10x19, 13x23
 Connections G1/8, G1/4, G3/8, G1/2

Quick-release couplings (G1/8, G1/4, G3/8 and G1/2) have been designed to cater for all those situations where, for plant engineering or safety reasons, the tubing in a plant must be frequently connected or disconnected. Quick-release couplings allow these operations to be performed without having to release the pressure and therefore save a considerable amount of time. The third digit in the code (5 or 8) indicates the orifice and hence the size as well. Models which have the same third digit can be coupled together.



GENERAL DATA

Valve group	quick release valve
Construction	poppet type
Mounting	threaded
Materials	brass OT58 nickel-plated NBR seals (coupling dia. 8 hardened galvanized steel)
Connections	1/8" GAS - 1/4" GAS - 3/8" GAS - 1/2" GAS - for plastic tubing and rubber hose
Installation	according to requirements
Operating temperature	0° - 80°C (using dry air -20°C)
Lubricant	compatible with NBR (3° ÷ 10° E)

The company reserves the right to vary models and dimensions without notice. These products are designed for industrial applications and are not suitable for sale to the general public.

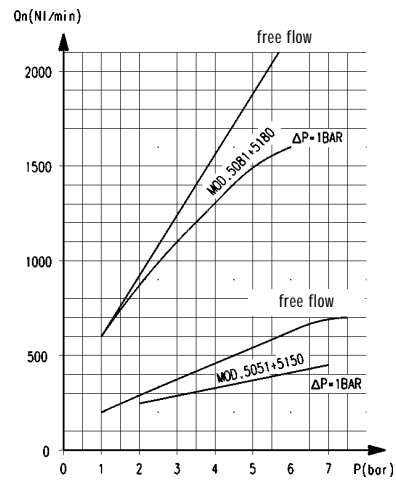
PNEUMATIC DATA

Operating pressure	0 ÷ 12 bar
Nominal pressure	6 bar
Nominal flow	see graph
Nominal diameter	5 or 7 mm
Fluid	compressed air (for other types of fluid, contact our engineers)

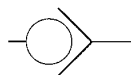
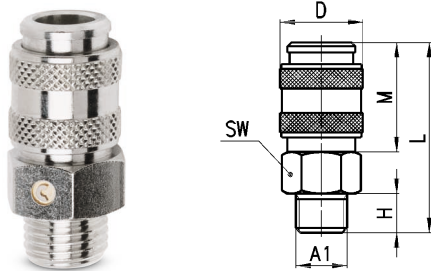
FLOWRATE DIAGRAM

QUICK-RELEASE COUPLINGS

The graph below is intended to give an indication as to which model to use in relation to the operating pressure and required flowrate. The measurements were taken using the models indicated below and represent the ideal maximum flowrate conditions. If tubes of inferior quality are used, allowances must be made for poorer performance.



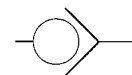
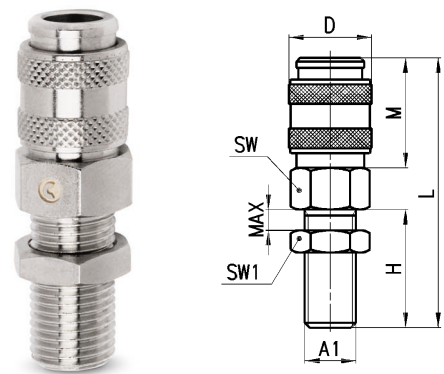
Fittings Mod. 5051... and Mod. 5081...



DIMENSIONS

Mod.	A1	Ø	D	H	L	M	SW
5051 1/8	G1/8	5	17	6	35	20.5	14
5051 1/4	G1/4	5	17	8	37	20.5	17
5081 1/4	G1/4	7	25	8	47.5	34.5	22
5081 3/8	G3/8	7	25	9	48.5	34.5	22
5081 1/2	G1/2	7	25	10	49.5	34.5	24

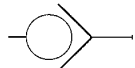
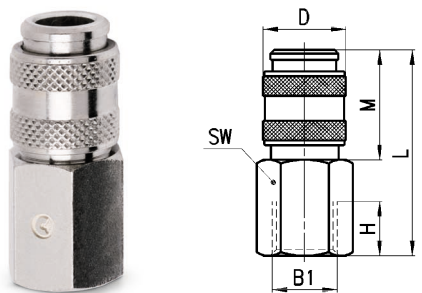
Fittings Mod. 5052... and Mod. 5082



DIMENSIONS

Mod.	A1	Ø	D	H	L	M	max	SW	SW1
5052 1/8	G1/8	5	17	23	52	20.5	12	14	14
5052 1/4	G1/4	5	17	24	53	20.5	12	17	17
5082 1/4	G1/4	7	25	24	63.5	34.5	12	22	17

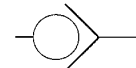
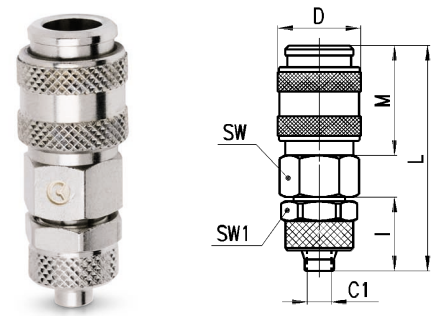
Fittings Mod. 5053... and Mod. 5083...



DIMENSIONS

Mod.	B1	Ø	D	H	L	M	SW
5053 1/8	G1/8	5	17	7.5	36.5	20.5	14
5053 1/4	G1/4	5	17	11	40	20.5	17
5083 1/4	G1/4	7	25	11	49.5	34.5	22
5083 3/8	G3/8	7	25	11.5	49.5	34.5	22
5083 1/2	G1/2	7	25	11	49.5	34.5	24

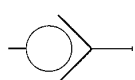
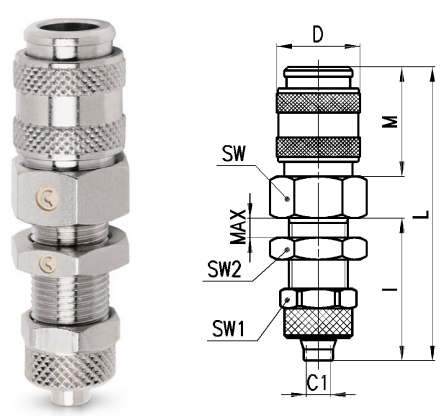
Fittings Mod. 5054... and Mod. 5084...



DIMENSIONS

Mod.	Tube	Ø	C1	D	I	L	M	SW	SW1
5054 6/4	6/4	5	3	17	15	44	20.5	14	12
5054 8/6	8/6	5	5	17	15	44	20.5	14	14
5084 8/6	8/6	7	5	25	15	54.5	34.5	22	14
5084 10/8	10/8	7	6.5	25	16.5	56	34.5	22	16

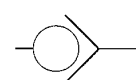
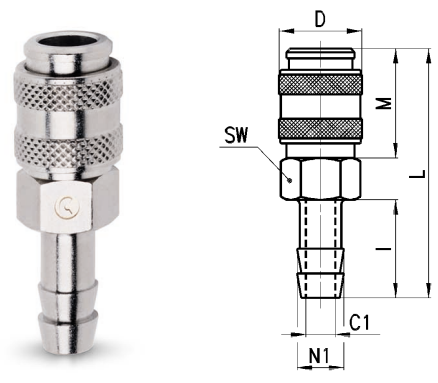
Fittings Mod. 5055...



DIMENSIONS

Mod.	Tube	Ø	C1	D	I	L	M	Max	SW	SW1	SW2
5055 6/4	6/4	5	3	17	29	58	20.5	10	14	12	14
5055 8/6	8/6	5	5	17	29	58	20.5	11	17	14	17

Fittings Mod. 5056... and Mod. 5086...

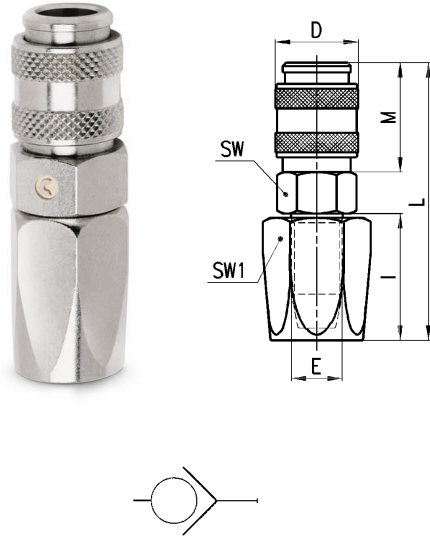


DIMENSIONS

Mod.	N1	Ø	C1	D	I	L	M	SW
5056 06	06	5	3	17	20	49	20.5	14
5056 09	09	5	5	17	20	49	20.5	14
5086 09	09	7	5	25	20	59.5	34.5	22
5086 12	12	7	8	25	20	59.5	34.5	22

The company reserves the right to vary models and dimensions without notice. These products are designed for industrial applications and are not suitable for sale to the general public.

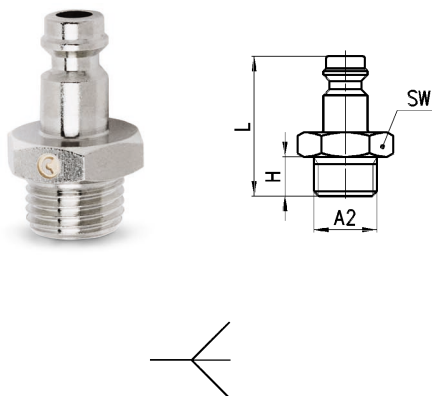
Fittings Mod. 5057... and Mod. 5087...



DIMENSIONS

Mod.	Tube	Ø	E	D	I	L	M	SW	SW1
5057	6x14	6x14	5	9	17	25	54.5	20.5	17
5087	6x14	6x14	7	9	25	25	64.5	34.5	22
5087	8x17	8x17	7	10	25	25	64.5	34.5	22
5087	10x19	10x19	7	12	25	27	66.5	34.5	22
5087	13x23	13x23	7	15	25	37	76.5	34.5	22

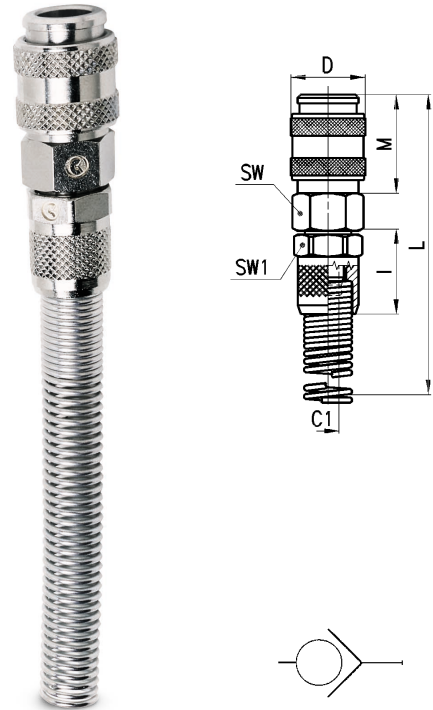
Fittings Mod. 5150... and Mod. 5180...



DIMENSIONS

Mod.	A2	Ø	H	L	SW
5150	1/8	G1/8	5	6	26
5150	1/4	G1/4	5	8	28.5
5180	1/4	G1/4	7	8	33
5180	3/8	G3/8	7	9	34
5180	1/2	G1/2	7	10	35.5

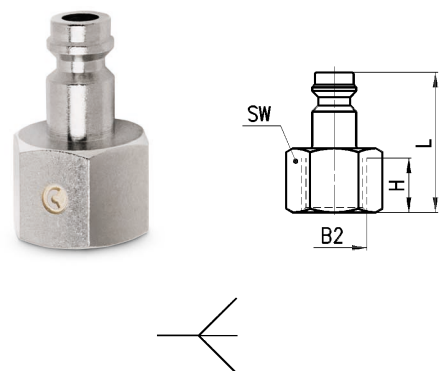
Fittings Mod. 5058... and Mod. 5088...



DIMENSIONS

Mod.	Tube	Ø	C1	D	I	M	L	SW	SW1
5058	6/4	6/4	5	3	17	19	20.5	120.5	14
5058	8/6	8/6	5	5	17	19	20.5	124.5	14
5088	8/6	8/6	7	5	25	19	34.5	135	22
5088	10/8	10/8	7	6.5	25	21.5	34.5	139.5	22

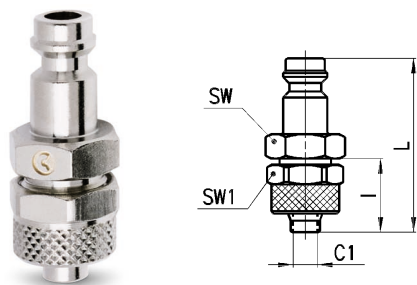
Fittings Mod. 5350... and Mod. 5380...



DIMENSIONS

Mod.	B2	Ø	H	L	SW
5350	1/8	G1/8	5	7.5	25.5
5350	1/4	G1/4	5	11	28.5
5380	1/4	G1/4	7	11	33
5380	3/8	G3/8	7	11.5	33.5
5380	1/2	G1/2	7	14	37

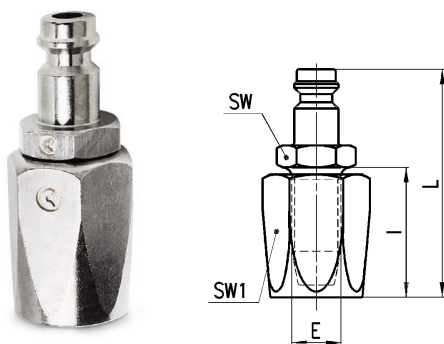
Fittings Mod. 5450... and Mod. 5480...



DIMENSIONS

Mod.	Tube	Ø	C1	I	L	SW	SW1
5450 6/4	6/4	5	3	15	35	12	12
5450 8/6	8/6	5	5	15	35.5	14	14
5480 8/6	8/6	7	5	15	39.5	14	14
5480 10/8	10/8	7	6.5	16.5	41.5	17	16

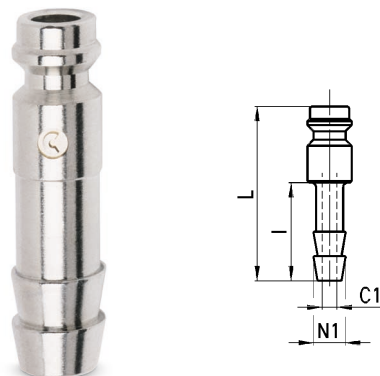
Fittings Mod. 5750... and Mod. 5780...



DIMENSIONS

Mod.	Tube	Ø	E	I	L	SW	SW1
5750 6x14	6x14	5	9	25	45	14	17
5780 6x14	6x14	7	9	25	50	14	17
5780 8x17	8x17	7	10	25	50	14	19
5780 13x23	13x23	7	15	37	62	19	27

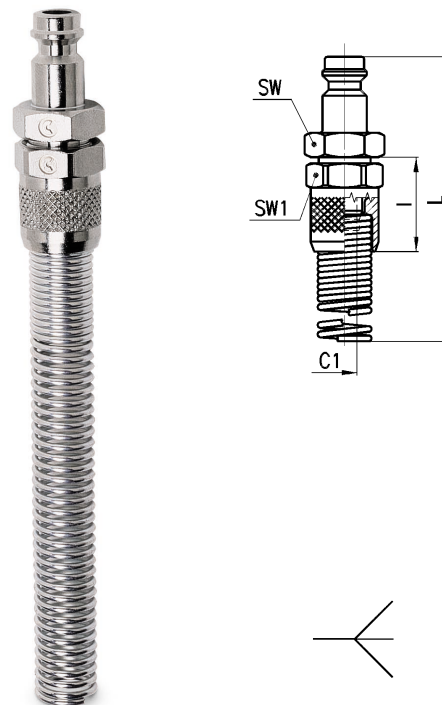
Fittings Mod. 5650... and Mod. 5680...



DIMENSIONS

Mod.	N1	Ø	C1	I	L
5650 06	06	5	3	20	35.5
5650 09	09	5	5	20	35.5
5680 06	06	7	3	20	40
5680 09	09	7	5	20	40
5680 12	12	7	7	20	40

Fittings Mod. 5850... and Mod. 5880...



DIMENSIONS

Mod.	Tube	Ø	C1	I	L	SW	SW1
5850 6/4	6/4	5	3	19	111.5	12	12
5850 8/6	8/6	5	5	19	116	14	14
5880 8/6	8/6	7	5	19	120	14	14
5880 10/8	10/8	7	6.5	21.5	125	17	16