

Breather filter

RE 51414/04.21
Replaces: -

1/8

Types BF 7 SL...; BS 7 SL...; BE 7 SL...; B 7 SL

Nominal size: BF 7 SL 45/21, 90, 130;
BS 7 SL 45/21, 90, 130;
BE 7 SL 45/21;
B 7 SL 45/21

Connections up to DN 32
Operating temperature -20 °C to +100 °C



H7612

Table of contents

Content	Page
Application	1
Design, maintenance intervals and spare parts	2
Ordering details	3
Characteristic curves	4
Unit dimensions	5
Directives and standardization	6

Application

- Filtration and dehumidification of the intake air of industrial systems.
- Avoidance of initial damage in pumps and bearings and system components.

Design

BF 7 SL..., BS 7 SL...:

Breather filter with screw-off exchange filter cartridge and internal pleated filter element of filter paper P or micro glass H10XL.

Design with flange connection (BF 7 SL...) and/or welding socket (BS 7 SL...).

B 7 SL..., BE 7 SL...:

Breather filter with screw-off exchange filter cartridge and internal pleated filter element of filter paper P or micro glass H10XL.

Connection possibility for a clogging indicator (B 7 SL) and/or attachment of a filling filter (screen basket 500 µm). Materials as per spare parts list.

Maintenance intervals

Fields of application of the filter	Environmental conditions average dust content	Maintenance interval
General mechanical engineering	9...25 mg/m ³	4,000 h
Heavy industry	50...80 mg/m ³	3,000 h
Mobile hydraulics	30...100 mg/m ³	3,000 h

Spare parts list

Size				BF 7 SL 45/21	BF 7 SL 90 and 130, BS 7 SL 45/21, BS 7 SL 90 and 130, B 7 SL 45/21	BE 7 SL 45/21
Part	Piece	Description	Material			
1	1	Filter cartridge	various	Please indicate ordering information "Filter Cartridge"		
2	1	Seal ring	Fiber	Please indicate ordering information "Filter"		
3	1	Seal	Klingersil C4400	-	Please indicate the ordering information "Filter"	-
	2				-	Please indicate the ordering information "Filter"
	1		NBR	Please indicate the ordering information "Filter"	-	-
4	1	Filling screen	Steel	-		Part No. 5379
5	1	Seal	Cu			Please indicate the ordering information "Filter"
6	1	Countersunk screw	4.8			Part No. 4285

All part numbers Hengst specific.

Ordering details of the filter

			S		0	0	0	00	M	0	0
--	--	--	---	--	---	---	---	----	---	---	---

Design											
Breather with flange	= BF 7 SL										
Breather with welding socket	= BS 7 SL										
Breather with filler	= BE 7 SL										
Breather without filler	= B 7 SL										
Nom. size											
BF 7 SL	= 45/21 90 130										
BS 7 SL	= 45/21 90 130										
BE 7 SL	= 45/21										
B 7 SL	= 45/21										
Filtration rating in µm											
nominal											
Paper, non-cleanable											
P10, P25	= P...										
absolute (ISO 16889)											
Micro glass, non-cleanable											
H10XL	= H10XL										
Pressure differential											
Max. admissible pressure differential of the filter element											
Standard	= S										
Element model											
Standard adhesive T = 100 °C	= 0...										
Standard material	= ...0										

Complementary details	
0 =	without
Material	
0 =	Standard
Seal	
M =	NBR seal
Connection	
00 =	Standard
	Connection in B 7 SL welding socket
Clogging indicator	
0 =	without
Bypass valve	
0 =	without
Solenoid	
0 =	without

Ordering example:
BF 7 SL 90 P10-S00-000-00M00

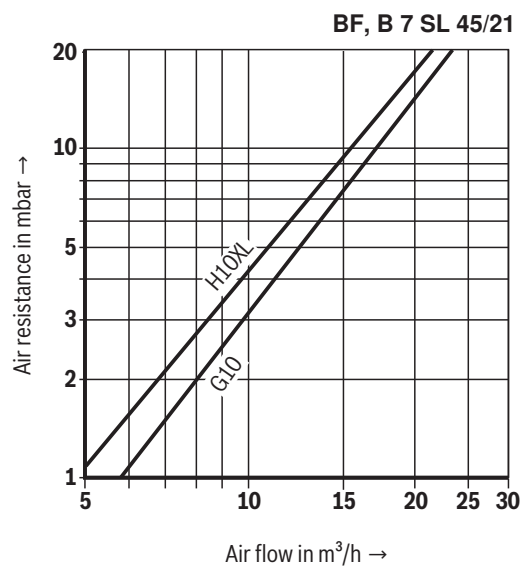
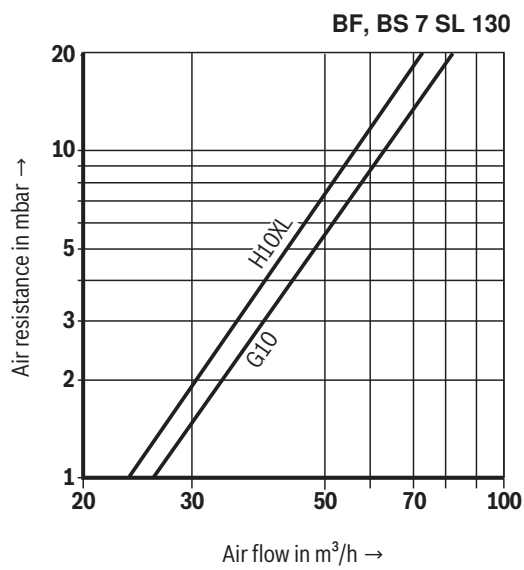
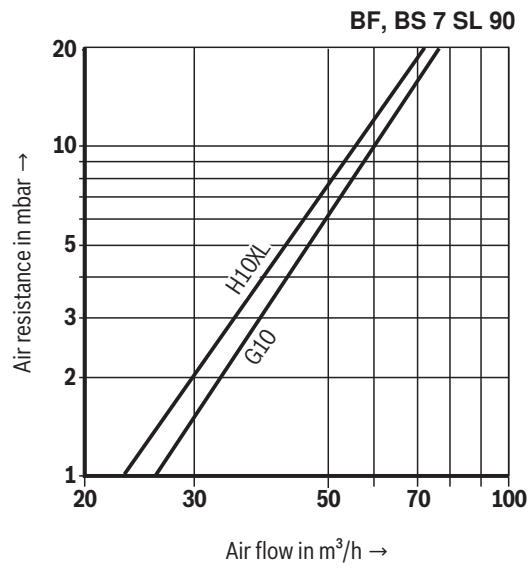
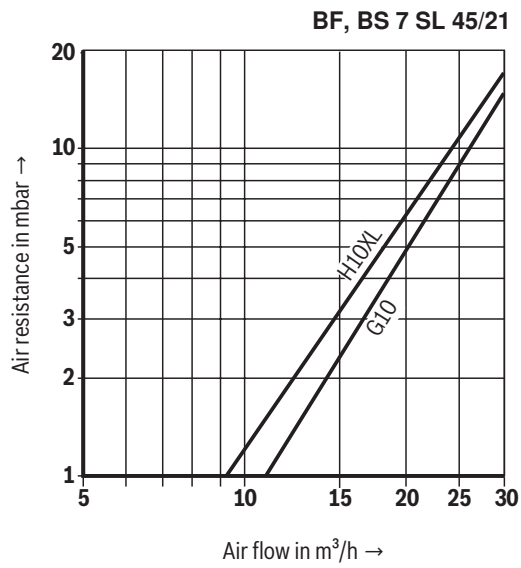
Ordering details of the filter cartridge

80.			S		0						

Filter cartridge											
Design	= 80.										
Nom. size											
BF 7 SL	= 45/21 90 130										
BS 7 SL	= 45/21 90 130										
BE 7 SL	= 45/21										
B 7 SL	= 45/21										
Filtration rating in µm											
nominal											
Paper, non-cleanable											
P10, P25	= P...										
absolute (ISO 16889)											
Micro glass, non-cleanable											
H10XL	= H10XL										
Pressure differential											
Max. admissible pressure differential of the filter element											
S	=										
Element model											
0... =	Standard adhesive T = 100 °C										
...0 =	Standard material										
Bypass valve											
0 =	without										
Seal											
M =	NBR seal										

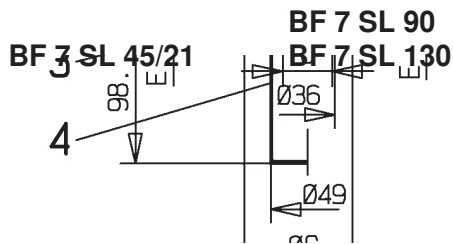
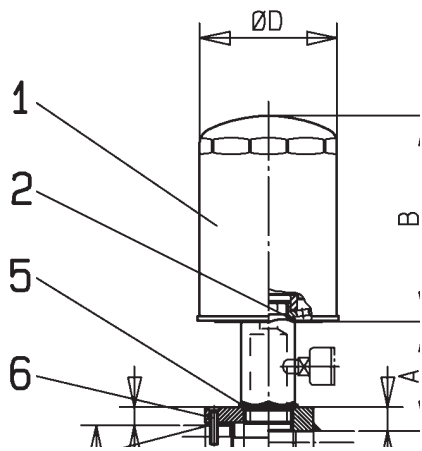
Ordering example:
80. 90 P10-S00-0-M

Characteristic curves (measured at test temperature = 20 °C)

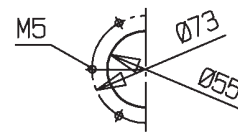
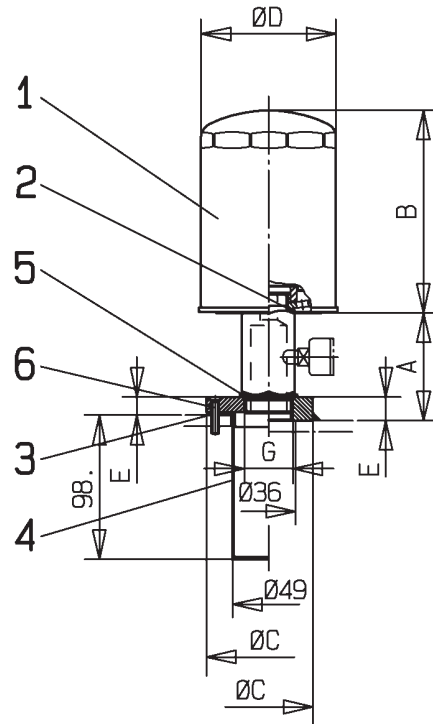


Unit dimensions (dimensions in mm)

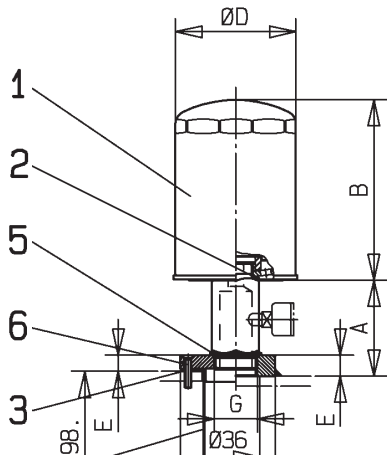
BF 7 SL 45/21
BF 7 SL 90
BF 7 SL 130



BE 7 SL 45/21
B 7 SL 45/21



BS 7 SL 45/21
BS 7 SL 90
BS 7 SL 130



Size	Weight in kg	A	B	$\varnothing C$	$\varnothing D$	E	G
BF 7 SL 45/21	0.8	189	146	60	92	7	G 3/4
BF 7 SL 90	1.4	231	183	85	128	9.5	G 1 1/4
BF 7 SL 130	1.5	279	231				
BS 7 SL 45/21	0.7	189	146	35	92	-	G 3/4
BS 7 SL 90	1.3	231	183	50	128		G 1 1/4
BS 7 SL 130	1.4	279	231				
BE 7 SL 45/21	1.3	67	146	85	92	11.5	G 1
B 7 SL 45/21	1.2	73		60		16	

Directives and standardization

Product validation

Hengst filters, the filter elements built into them and filter accessories are tested and quality-monitored according to different ISO test standards:

Filtration performance test (multipass test)	ISO 16889:2008-06
Compatibility with hydraulic fluid	ISO 2943:1998-11

The development, manufacture and assembly of Hengst industrial filters and Hengst filter elements is carried out within the framework of a certified quality management system in accordance with ISO 9001:2015.

Notes

Hengst Filtration GmbH
Hardtwaldstr. 43
68775 Ketsch, Germany
Phone +49 (0) 62 02 / 6 03-0
hydraulicfilter@hengst.de
www.hengst.com

© This document, as well as the data, specifications and other information set forth in it, are the exclusive property of Hengst Filtration GmbH. It may not be reproduced or given to third parties without consent of Hengst Filtration GmbH. The data specified above only serve to describe the product. No statements concerning a certain condition or suitability for a certain application can be derived from our information. The information given does not release the user from the obligation of own judgment and verification. It must be remembered that our products are subject to a natural process of wear and aging.

Notes
